

Motors for the Long Run!



SB338

March 2011 - Rev. A



marathonelectric
800.616.7077

Easy to do business with...24/7/365!!!

ME business:



Marathon Electric's new and improved ecommerce site, "ME business", is packed with user-friendly features to help our customers check stock, place orders, track orders and invoices, verify pricing and even has a product search feature when you aren't sure what you need. We've included a number of reports that can easily be exported into Microsoft databases such as Excel.

Marathon Electric Web Site:



Marathon's world-class website is jam packed with tons of information. Navigation is easy and functionality is better than ever.

Consult our website for product selection, technical data, catalogs, literature, and maintenance information...even to locate a distributor.

Use the "Motors" link to obtain information specific to Marathon Electric motors, kits, drives, and modifications. Functions include product search, competitive cross-reference, service locations, warranty information, and the link to ME business.

Other information includes frequently asked questions, how to read a model number, and contact information.

All Available @ www.marathonelectric.com

Try it today!



Table of Contents		Page
EISA Summary		2
Frequently Asked Questions		3-4
General Purpose Dripproof		
Rigid Base, NEMA Premium® XRI®		5-7
Rigid Base, NEMA Premium® Globetrotter®		8-9
C-Face Kits		9
Totally Enclosed		
Rigid Base, NEMA Premium® XRI®		10-15
C-Face Footed (Rigid Base), NEMA Premium® XRI®		15
Rigid Base, NEMA Premium® Globetrotter®		16-18
C-Face Footless, NEMA Premium® Globetrotter®		31
Rigid Base, NEMA Premium® Globetrotter®		30
Severe Duty		
Rigid Base, NEMA Premium® XRI®, Hazardous Duty		19-23
Rigid Base, NEMA Premium® XRI®, IEEE-841		24-17
Explosion Proof		
Rigid Base, Standard and EPEfficiency		37
Blue Chip®, C-Face Footed Rigid Base, NEMA Premium® Efficiency		38
C-Face Footless, Standard and NEMA Premium® Efficiency		39
Rigid Base, NEMA Premium® XRI®, Explosion Proof		40-42
Pump Motors		
NEMA Premium® Globetrotter® - Close Coupled Pump, Dripproof		28-29
Washdown		
Powerwash™ XT Washdown Duty, Three Phase, Rigid Base		32
Powerwash™ XT Washdown Duty, Three Phase, C-Face Footless		33
Powerwash™ XT Washdown Duty, Three Phase, C-Face Footed (Rigid Base)		34
Powerwash™ XT Washdown Duty, Three Phase, Stainless, C-Face Footless		35
Powerwash™ XT Washdown Duty, Three Phase, Stainless, C-Face Footed (Rigid Base)		35
Powerwash™ XT Washdown Duty, Three Phase, Stainless/BISSC-Face Footed (Rigid Base)		36
IEC Metric Motors		
NEMA Premium® Globetrotter® - B3 mount		43-44
NEMA Premium® Globetrotter® - Flange mount		45
Other		
SyMAX Preview		46-47
NEMA Efficiency Tables		48
Footnotes		49

Marathon Electric EISA Summary



The EISA (**E**nergy **I**ndependence and **S**ecurity **A**ct) legislation that became active on December 19, 2010 has changed the industry. The emphasis on energy efficiency and environmental stewardship has been a focus of Marathon Electric long before this new legislation. Marathon Electric has the XRI family of Ultra Efficiency products available since 1986. To comply with the new legislation and to enhance our product offerings, Marathon Electric has increased the efficiency on over 1000 additional ratings and has added over 400 new ratings. With products coming from one of Regal-Beloit's 30+ factories around the globe, we have the solution for what the industry needs.

Summary of EISA requirements:

DESCRIPTION	EFFICIENCY
1-200HP, T frame, 2/4/6-Pole, 230 or 460V, 3-Ph, 60 Hz, open	NEMA Premium
1-200HP, T frame, 2/4/6-Pole, 230 or 460V, 3-Ph, 60 Hz, tefc	NEMA Premium
1-200HP, T frame, 2/4/6-Pole, 230 or 460V, 3-Ph, 60 Hz, explosion proof	NEMA Premium
201-500 HP, 2/4/6-Pole, <600V. open or enclosed	EPAct
U frame	EPAct
Design C	EPAct
Close-coupled pump	EPAct
Fire Pump motors	EPAct
Footless motors	EPAct
Vertical Solid Shaft, normal thrust	EPAct
8-Pole (900 RPM @ 60Hz)	EPAct
3-Ph, 60 Hz, with voltages less than 600 but not 23- or 460	EPAct
Intermittent duty	Exempt
50 Hz only, all voltages	Exempt
Multi-speed (based on highest HP & associated pole/RPM)	Exempt
TEBC, TENV, DPFV and Air Over	Exempt

Motor Evaluation:

If motor has one (or more) of these features, it is exempt and can be Standard Efficiency.	
Horsepower less than 1 hp or higher than 501hp	Motors for Inverter Use Only (with labels and nameplate)
Voltage 601 v or higher	Brake (installed, not provisions only)
Single phase	Integral Gear Motor
Frequencies other than 60Hz or 60/50Hz	Saw Arbor
Design D and Ultra High Slip (UHS) motors	TENV, TEBC, DPFV, TEAO or Open Air Over (DPAO, OPAO)
10 Pole and higher pole count	Non-Continuous / Intermittent (must have time rating, ex: 30 min.)
Encapsulated windings	Phase converters
Frame sizes NEMA 56 (IEC 80) and smaller	Induction generators
Non-NEMA Base or Feet	Motors rated & labeled "Inverter Only"
Thrust Bearings or Sleeve Bearings	Multispeed
Non-NEMA (custom) flange/bracket/endshield	Non-standard shaft dimensions (non-NEMA)

Step 2:

If motor does not have any features from the Standard Efficiency section but does have one or more of the following features, it must meet EPACT (Table 12-11).	
201-500hp	Voltages that are not capable of operating at 230v or 460v must meet Table 12-11. This means: Voltage 208v and lower (at 60Hz) Voltage 255v through 416v (at 60Hz) Voltage 510v through 600v (at 60Hz) Firepump
Design C	
8 Pole	
NEMA U or US shaft	
Footless or Round body	
Close Coupled Pump	
Vertical Normal Thrust	

If the motor does not have any features, listed above, it must meet NEMA Premium Table (12-12).
For additional details, please visit our web site.

Frequently Asked Questions

Energy Independence and Security Act of 2007 (“EISA”)

These materials are intended to provide general information (not legal or other advice) about important new legislation or developments. These materials are not intended to substitute for a thorough analysis of the subject covered or any subsequent developments relating to that subject.

Q. Are medium voltage motors covered by EISA?

A. No. EISA only covers motors that are operational at 60 Hz with voltages through 600 V.

Q. Must 60/50 Hz rated motors meet EISA efficiencies?

A. Yes, 60/50 Hz motors must comply with the applicable efficiency requirement at the 60 Hz rating. 50 Hz only motors are exempt.

Q. What efficiencies are documented in NEMA tables 12-11, 12-12, 12-13 and 12-14?

A. NEMA table 12-11 defines efficiencies associated with EPAAct. 12-12 contains efficiencies associated with NEMA Premium (former CEE efficiencies). 12-13 defines medium voltage (>600V). 12-14 defines NEMA Premium levels @ 50 Hz.

Q. Must spread voltage (eg. 200-230/460V) or tri-voltage (eg. 230/460/796) rated motors meet EISA efficiencies at all rated voltages?

A. No. The motor must meet the required efficiency at 230/460. Other voltages must meet EPAAct. Note that since the efficiency requirements of the stated voltages may vary (200V must meet “EPAAct”/Table 12-11, whereas 230 & 460 must meet “NEMA Premium”/Table 12-12), varying efficiency claims must be made on the same nameplate.

Q. What about 208 volt?

A. Even though NEMA standards state that a 230V rated motor must operate satisfactorily at +/-10% of rated voltage, our view on 208 volt is that it is required to meet EPAAct efficiencies.

Q. Are single phase motors covered by EISA?

A. No, regardless of motor frame size or HP rating.

Q. Are 48 and 56 frame motors covered by EISA?

A. 48 and 56 frames, no. However a 56HZ with the 140 frame mounting holes would need to meet EISA.

Q. Are “inverter duty” motors covered by EISA?

A. “Depends”. A general purpose (NEMA Part 30) motor applied with a VFD must meet EISA as its electro-mechanical characteristics apply within the scope of EISA. A definite purpose (NEMA Part 31) inverter drive motor (“Vector Duty” in Marathon’s vernacular) is exempt as it can only be operated from a non-sinusoidal power supply. Further, Totally Enclosed Non-Ventilated, Blower Cooled and Air Over motors are exempt.

Q. Are motors that are intermittent duty or 60 minute duty covered?

A. Motors that are truly intermittent duty or time limited and will fail if operated continuously are not covered. Motors that are labeled for less than continuous duty but are capable of operating continuously are covered.

Q. Are motors with brakes covered?

A. Motors that have brakes installed on the motor are not covered. Motors that are purchased with a shaft extension or “brake provisions” are covered.

Q. Are motors with encoders or encoder provisions covered?

A. Yes, both motor with encoders and motors with encoder provisions are covered based upon their other features such as enclosure, voltage and frequency. The inclusion of an encoder or other accessories is not required for the motor to operate so they are not considered reasons for exemption.

Q. Are multi-speed motors covered?

A. No, multi-speed motors (ex: 25/12.5hp 1800/900rpm) are not covered. There are no efficiency levels established for multi-speed motors so they cannot be labeled as EPAAct or NEMA Premium regardless of the efficiency value.

Q. Are eight (8) pole motors covered?

A. Yes, eight-pole motors operating on 60Hz power supplies are covered. There are no NEMA Premium efficiency levels defined for eight-pole motors so they cannot be labeled as NEMA Premium even if the efficiency exceeds EPAAct (Table 12-11) levels.

Frequently Asked Questions (continued)

Energy Independence and Security Act of 2007 (“EISA”)

Q. Are elevator motors covered?

A. Elevator motors that operate on utility power (no inverter) and would otherwise be covered, will remain covered as their voltage and frequency require. This includes motors for 80 starts per hour and/or 120 starts per hour. Elevator motors that are inverter motors with special duty cycle (60 minute duty) are exempt.

Q. Are motors with double shaft extensions covered?

A. As with EPACT legislation, motors that have a NEMA double shaft extension are covered. Other features such as voltage and frequency determine efficiency levels.

Q. Are gear-motors covered?

A. Motors that are part of the gear assembly and share bearings or other components such that they cannot operate without the gear assembly are exempt. Motors that can be operated separately but are used with a gearbox are covered.

Q. Can a 208-230/460V motor be designed to meet NEMA Premium?

A. In some cases this is possible, but in most cases not. First of all, the motor must meet NEMA Premium at 230/460. Secondly, in order to design a motor to meet this efficiency, we would have to “over-design” at 230V (to meet NEMA Premium at 208V). This action would result in a motor with high locked rotor amps at 230V, and may no longer meet NEMA Design B specifications. Generally, it is not possible to design the motor to meet both the efficiency and Design B amp and torque requirements at all nameplate voltages of a spread voltage design.

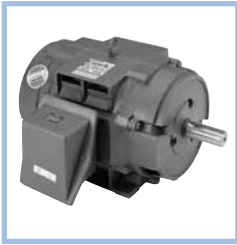
Q. Must a 3 HP, 56H frame motor meet EISA (“56H” is a frame designation for 56 frame shaft height, diameter and length but with a 143/145T frame “footprint”)?

A. No, since the frame size is considered a “Small Electric Motor” (fractional...two-digit frame). But it is covered if the shaft is 7/8”

Q. Must spread voltage (eg. 200-230/460V) or tri-voltage (eg. 230/460/796) rated motors meet EISA efficiencies at all rated voltages?

A. Yes. The motor must meet the required efficiency at each rated voltage on the nameplate. Note that since the efficiency requirements of the stated voltages may vary (200V must meet “EPAct”/Table 12-11, whereas 230 & 460 must meet “NEMA Premium”/Table 12-12), varying efficiency claims must be made on the same nameplate.

General Purpose, Three Phase Dripproof, NEMA Premium® XRI® Efficiency



Applications: General purpose use on compressors, pumps, conveyors, blowers, and other machinery in environments that are relatively clean and dry. Substantial energy savings can be realized when using these high efficiency motors. Guaranteed efficiencies offer an **eXtra Return** on your **Investment** when using these premium efficiency motors on high cycle or long run time applications.

Features: **Meets or exceeds NEMA Premium® efficiencies**
NEMA Premium® models are in compliance with EISA2007

- Motors are suitable for 10:1 VT on all frame sizes and 10:1 CT up to 365T frame (Except where noted)
- 1.15 Service Factor
- TSTATS available from Mod Central
- Class F Insulation
- Nameplated 60/50 hertz
- UL Recognized, CSA Certified and CE Marked
- Three year warranty



Rigid Base

Suitable for use on VFD per guidelines on page 17.

HP	RPM	VOLTS	FRAME	CAT. NO.	MODEL NO.	STOCK	LIST PRICE	MULT. SYMB.	NOM. EFF.	F.L. AMPS	APPRX. WGT. LBS	"C" DIM.	FOOT NOTES	C FACE KIT
1	3600	208-230/460	56H	U244	56T17D6001	★	\$406	E2	80.0	2.8-3.4/1.4	24	10.18	13	A435
	1800	208-230/460	143T	U758	143TTDR6027	★	\$463	E2	85.5	3.2/1.6	30	12.12		A600
	1800	575	143T	E912A	143TTDR16037	★	\$463	E2	85.5	1.3	30	12.12		A600
	1200	208-230/460	145T	U265	145TTDR6076	★	\$539	E2	82.5	3.8-4.4/2.2	41	12.62		A600
	1200	575	145T	E934A	145TTDR16077	★	\$539	E2	82.5	1.8	41	12.62		A600
1 1/2	3600	208-230/460	143T	U245	143TTDR6028	★	\$452	E2	84.0	4.4-4.0/2.0	36	12.28		A600
	3600	575	143T	E798A	143TTDR16005	★	\$452	E2	84.0	1.6	36	12.28		A600
	1800	208-230/460	145T	U759	145TTDR6028	★	\$483	E2	86.5	4.8-5.6/2.4	35	12.62		A600
	1800	575	145T	E913A	145TTDR16061	★	\$483	E2	86.5	1.8	35	12.62		A600
	1200	208-230/460	182T	U1266	182TTDW6076	★	\$634	E2	86.5	6.2/3.1	68	13.19	13	A666
	1200	575	182T	U914	182TTDW16009	★	\$634	E2	86.5	2.5	68	13.19	13	A666
2	3600	208-230/460	145T	U246	145TTDR6039	★	\$533	E2	85.5	5.2-4.8/2.4	43	13.12		A436
	3600	575	145T	U906A	145TTDR16008	★	\$533	E2	85.5	2.1	43	13.12		A436
	1800	208-230/460	145T	U760	145TTDR6029	★	\$547	E2	86.5	5.8/2.9	37	13.62		A600
	1800	575	145T	E914A	145TTDR16062	★	\$547	E2	86.5	2.4	37	13.62		A600
	1200	208-230/460	184T	U1267	184TTDW6076	★	\$646	E2	87.5	7.2/3.6	90	15.19	13	A666
	1200	575	184T	U915	184TTDW16076	★	\$646	E2	87.5	2.9	90	15.19	13	A666
3	3600	208-230/460	145T	U247	145TTDR6002	★	\$539	E2	86.5	8.0-7.2/3.6	45	13.12		A600
	3600	575	145T	E932A	145TTDR16010	★	\$539	E2	86.5	2.9	45	13.12		A600
	1800	208-230/460	182T	E1930	182TTDW6030	★	\$561	E2	89.5	8.4-8.0/4.0	76	14.19	13	A666
	1800	575	182T	E915B	182TTDW16029	★	\$561	E2	89.5	3.4	76	14.19	13	A666
	1200	208-230/460	213T	U268	213TTDC6076	★	\$886	E2	88.5	10.2-10.0/5.0	156	16.38		A602
	1200	575	213T	U279	213TTDC6079	★	\$886	E2	88.5	4.0	156	16.38		A602
5	3600	208-230/460	182T	U1248	182TTDW6001	★	\$591	E2	86.5	13.0-12.0/6.0	86	15.19	13	A666
	3600	575	182T	U908A	182TTDWxxxx	★	\$591	E2	86.5	5.6	86	15.19	13	A666
	1800	208-230/460	184T	E1931	184TTDW6031	★	\$631	E2	89.5	13.6-12.8/6.4	89	15.19	13	A666
	1800	575	184T	E916B	184TTDW16040	★	\$631	E2	89.5	5.3	89	15.19	13	A666
	1200	208-230/460	215T	U269	215TTDC6076	★	\$1,031	E2	90.2	15.8-15.0/7.5	185	16.38		A602
	1200	575	215T	U280	215TTDC6079	★	\$1,031	E2	90.2	6.0	185	16.38		A602
7 1/2	3600	208-230/460	184T	U249A	184TTDW6001	★	\$855	E2	88.5	19.6-17.6/8.8	106	16.19	13	A666
	3600	575	184T	E938A	184TTDW16027	★	\$855	E2	88.5	7.0	106	16.19	13	A666
	1800	208-230/460	213T	U763	213TTDC6026	★	\$817	E2	91.0	20.6-19.8/9.9	160	16.38		A602
	1800	575	213T	U281	213TTDC6029	★	\$817	E2	91.0	7.8	160	16.38		A602
	1200	208-230/460	254T	U254	254TTDC6076	★	\$1,289	E2	92.4	23.4-22.4/11.2	281	20.94	YD	A622
	1200	575	254T	U282	254TTDC6079	★	\$1,289	E2	92.4	8.1	281	20.94	YD	A622
10	3600	208-230/460	213T	U764	213TTDC6001	★	\$932	E2	91.0	25.0-23.6/11.8	150	16.38		A602
	3600	575	213T	U283	213TTDC6003	★	\$932	E2	91.0	9.4	150	16.38		A602
	1800	208-230/460	215T	U765	215TTDC6026	★	\$964	E2	91.7	28.5-25.6/12.8	220	17.87		A602
	1800	575	215T	U284	215TTDC6029	★	\$964	E2	91.7	10.0	220	17.87		A602
	1200	208-230/460	256T	U255	256TTDC6076	★	\$1,607	E2	91.7	31.0-29.6/14.8	305	22.60	YD	A622
	1200	575	256T	U285	256TTDC6079	★	\$1,607	E2	91.7	10.8	305	22.60	YD	A622

Blue shaded areas are Cast Iron Frames

Catalog numbers (Cat No.) highlighted in bold blue have efficiency levels that meet EISA requirements Continued on next page.

General Purpose, Three Phase DripProof, NEMA Premium® XRI® Efficiency Rigid Base

HP	RPM	VOLTS	FRAME	CAT. NO.	MODEL NO.	STOCK	LIST PRICE	MULT. SYMB.	NOM. EFF.	F.L. AMPS	APPRX. WGT. LBS	"C" DIM.	FOOT NOTES	C FACE KIT
15	3600	208-230/460	215T	U766	215TTDC6001	★	\$1,366	E2	91.0	38.0-34.6/17.3	184	17.87	99	A602
	3600	575	215T	U286	215TTDC6003	★	\$1,366	E2	91.0	13.8	184	17.87	99	A602
	1800	208-230/460	254T	U767	254TTDC6026	★	\$1,335	E2	93.0	40.5-37.0/18.5	310	20.94	A,YD	A622
	1800	575	254T	U287	254TTDC6029	★	\$1,335	E2	93.0	15.0	310	20.94	A,YD	A622
	1200	208-230/460	284T	U256	284TTDC6076	★	\$2,116	E2	92.4	42.0-39.5/19.7	414	23.54	YD	A626
	1200	575	284T	U288	284TTDC6079	★	\$2,116	E2	92.4	16.0	414	23.54	YD	A626
20	3600	208-230/460	254T	U768	254TTDC6001	★	\$1,574	E2	93.0	50.0-46.0/23.0	300	20.94	YD	A622
	3600	575	254T	U289	254TTDC6003	★	\$1,574	E2	93.0	18.4	300	20.94	YD	A622
	1800	208-230/460	256T	U769	256TTDC6026	★	\$1,653	E2	93.0	55.0-51.0/25.5	360	22.60	YD	A622
	1800	575	256T	U290	256TTDC6029	★	\$1,653	E2	93.0	19.2	360	22.60	YD	A626
	1200	208-230/460	286T	U257	286TTDC6076	★	\$2,577	E2	92.4	58.0-55.0/27.5	457	25.00	YD	A626
	25	3600	208-230/460	256T	U770	256TTDC6001	★	\$2,004	E2	93.0	64.0-57.4/28.7	315	22.60	YD
3600		575	256T	U291	256TTDC6003	★	\$2,004	E2	93.0	23.0	315	22.60	YD	A626
1800		208-230/460	284T	U771	284TTDC6026	★	\$1,950	E2	93.6	66.0-59.6/29.8	424	23.54	YD	A626
1800		208-230/460	284TS	E793A	284TSTDN16031		\$1,950	E2	93.6	64.0/32.0	424	23.57		A287
1800		575	284T	E762A	284TTDC6029	★	\$1,950	E2	93.6	23.8	424	23.54	YD	A627
1200		208-230/460	324T	U798	324TTDC6076	★	\$3,070	E2	93.0	72.0-67.0/33.5	695	26.02	YD	A627
30	3600	208-230/460	284TS	U772	284TSTDC6001	★	\$2,479	E2	94.1	85.0-67.0/33.5	396	22.17	YD	A626
	3600	575	284TS	U292	284TSTDC6003	★	\$2,479	E2	94.1	28.1	396	22.17	YD	A626
	1800	208-230/460	286T	U773	286TTDC6026	★	\$2,250	E2	94.1	78.0-71.0/35.5	483	25.00	YD	A626
	1800	208-230/460	286TS	E794A			\$2,250	E2	94.1		483	25.44		A287
	1800	575	286T	E763A	286TTDC6029	★	\$2,250	E2	94.1	28.6	483	25.00	YD	A627
	1200	208-230/460	326T	U799	326TTDC6076	★	\$3,599	E2	93.6	86.3-78.0/39.0	760	27.52	YD	A627
40	3600	208-230/460	286TS	U774	286TSTDC6001	★	\$2,984	E2	93.6	100-91.2/45.6	452	23.62	A,YD,99	A626
	3600	575	286TS	U293	286TSTDC6003	★	\$2,984	E2	93.6	36.5	452	23.62	A,YD,99	A626
	1800	208-230/460	324T	U775	324TTDC6026	★	\$2,828	E2	94.1	130-118/59.0	581	26.02	YD	A627
	1800	208-230/460	324TS	E789A	326TSTDP16032	★	\$2,828	E2	94.1	100/50.0	581	26.00		A613
	1800	575	324T	E764A	324TTDC6029	★	\$2,828	E2	94.1	38.0	581	26.02	YD	A627
	1200	208-230/460	364T	U1927	364TTDCA6086	★	\$4,619	E2	94.1	107-100/50.0	875	31.60	YD	A626
50	3600	208-230/460	324TS	U776	324TSTDC6001	★	\$3,638	E2	94.1	123-112/56.0	548	24.53	YD	A627
	3600	575	324TS	U294	324TSTDC6003	★	\$3,638	E2	94.1	44.8	548	24.53	YD	A627
	1800	208-230/460	326T	U777	326TTDC6026	★	\$3,369	E2	94.5	129-118/59.0	710	27.52	YD	A627
	1800	208-230/460	326TS	E791A	326TSTDR16034	★	\$3,369	E2	94.5	121/60.5	710	27.00		A613
	1800	575	326T	E765A	326TTDC6029	★	\$3,369	E2	94.5	48.0	710	27.52	YD	A627
	1200	208-230/460	365T	U1928	365TTDCA6086	★	\$5,317	E2	94.1	134-125/62.5	930	32.80	YD	A629
60	3600	208-230/460	326TS	U778	326TSTDC6001	★	\$4,352	E2	94.1	148-136/68.0	590	26.02	YD	A627
	1800	208-230/460	364T	U1779	364TTDCA6060	★	\$4,007	E2	95.4	151.5-140/70.0	1005	31.60	YD	A629
	1800	208-230/460	364TS	E768C	365TSTDS16042	★	\$4,007	E2	95.4	153-139/69.5	1005	27.50		A219
	1800	575	364T	E766A			\$4,007	E2	95.4		1005	29.50	YD	A216
	1200	230/460	404T	U270	404TTDS6086	★	\$6,400	E2	95.0	146/73.0	975	32.50		A222

Blue shaded areas are Cast Iron Frames

Catalog numbers (Cat No.) highlighted in bold blue have efficiency levels that meet EISA requirements

Continued on next page.

General Purpose, Three Phase DripProof, NEMA Premium® XRI® Efficiency

Rigid Base

HP	RPM	VOLTS	FRAME	CAT. NO.	MODEL NO.	STOCK	LIST PRICE	MULT. SYMB.	NOM. EFF.	F.L. AMPS	APPRX. WGT. LBS	"C" DIM.	FOOT NOTES	C FACE KIT
75	3600	208-230/460	364TS	U1782	364TSTDCA6001	★	\$5,750	E2	93.6	190-170/85.0	937	29.50	YD	A629
	1800	208-230/460	365T	U1783	365TTDCA6060	★	\$4,799	E2	95.4	189-174/87.0	1030	32.80	YD	A629
	1800	208-230/460	365TS	E782C	365TSTDS16041	★	\$4,799	E2	95.4	194-174/87.0	1030	27.50		A219
	1800	575	365T	E767A			\$4,799	E2	95.4		1030	29.50	YD	A216
	1200	230/460	405T	U271	405TTDS16081	★	\$7,866	E2	95.0	180/90.0	1100	34.00		A222
100	3600	208-230/460	365TS	U1784	365TSTDCA6001	★	\$7,037	E2	94.5	251-224/112	1016	30.60	YD	A629
	1800	230/460	404T	E922	404TTDS6060	★	\$6,256	E2	95.4	226/113	1025	32.50	YD	A222
	1800	230/460	404TS	E780A	404TSTDS16036	★	\$6,256	E2	95.4	226/113	1025	29.50		A225
	1800	575	404T	U903A			\$6,256	E2	95.4		1025	32.50	YD	A222
	1200	230/460	444T	U272	444TTDS16077	★	\$9,764	E2	95.4	234/117	1300	37.75		A228
125	3600	460	404TS	U250	404TSTDS6001	★	\$8,418	E2	95.0	140	973	29.50	YD	A225
	1800	460	405T	E923	405TTDS6060	★	\$7,919	E2	95.4	141	1150	34.00	YD	A222
	1800	460	405TS	E781A	405TSTDS16038	★	\$7,919	E2	95.4	141	1150	31.00	PW	A225
	1800	575	405T	U904A			\$7,919	E2	95.4		1150	34.00	YD	A222
	1200	460	445T	U273	445TTDS16076	★	\$12,814	E2	95.0	145	1500	39.75	YD	A228
150	3600	460	405TS	U251	405TSTDS6007	★	\$10,599	E2	95.0	165	1075	31.00	YD	A225
	1800	460	444T	E924	444TTDS6060	★	\$10,631	E2	95.8	170	1275	37.75	YD	A228
	1800	460	444TS	E792A	444TSTDS16038	★	\$10,631	E2	95.8	170	1275	34.00	PW	A231
	1800	575	444T	U911A	445TTDS6060		\$10,631	E2	95.8	170	1275	37.75	YD	A228
	1200	460	447T	U274	444TTDS16043	★	\$13,175	E2	95.4	185	2050	43.25		N/A
200	3600	460	444TS	U252	444TSTDS16003	★	\$15,323	E2	95.8	216	1277	34.00	YD	A231
	1800	460	445T	E925	445TTDS6060	★	\$13,339	E2	95.8	225	1500	39.75	YD	A228
	1800	460	445TS	U400A	445TSTDS16038	★	\$13,339	E2	95.8	225	1500	36.00	PW	A231
	1800	575	445T	U912A	445TTDS16041		\$13,339	E2	95.8	225	1500	39.75	YD	A228
	1200	460	449T	U275	449TTDN16076	★	\$15,730	E2	95.4	245	2200	43.25	YD	N/A
250	3600	460	447TS	U785	447TSTDN16004	★	\$17,846	E2	95.8	274	1438	39.50	YD	A293
	1800	460	447T	U786	447TTDN16046	★	\$16,478	E2	96.2	292	1438	43.25	YD	N/A
300	3600	460	447TS	U788	447TSTDN16007	★	\$20,819	E2	95.4	330	1745	39.50	YD	A293
	1800	460	447T	U789	447TTDN16041		\$18,660	E2	96.2	340	1745	43.25	YD	N/A
	1200	460	449T	U790	449TTDN16077		\$24,663	E2	95.8	365	2112	48.25	YD	N/A
350	3600	460	447TS	U791	447TSTDN16008	★	\$22,900	E2	95.4	385	1745	39.50	YD	A293
400	3600	460	449TS	U793	449TSTDN16003	★	\$26,471	E2	95.8	450	2112	44.50	YD	A293
450	3600	460	449TS	U795	449TSTDN16004	★	\$33,459	E2	95.8	495	2112	44.50	YD	A293
500	3600	460	449TS	U797	449TSTDN16005	★	\$37,275	E2	95.8	545	2147	44.50	YD	A293

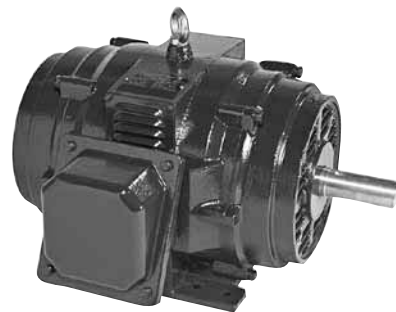
Blue shaded areas are Cast Iron Frames

Catalog numbers (Cat No.) highlighted in bold blue have efficiency levels that meet EISA requirements

Globetrotter® NEMA Premium® Efficiency, Three Phase

IP23 - Dripproof, Rigid Base

- Features:**
- Meets NEMA Premium® efficiency
 - 182T-215T models steel frame, 254T-449T models cast iron frame
 - Inverter Duty 10:1 Variable Torque and 2:1 Constant Torque, 1.0 SF
 - 1.15 Service Factor
 - Class F Insulation
 - Standard assembly F1, reversible to F2 assembly
 - Will accept C-Face kits
 - UL Recognized, CSA Certified, CE Mark
 - Two year warranty



Multiplier Symbol E1

HP	RPM	VOLTS	FRAME	CAT NO.	MODEL NO.	STOCK	LIST PRICE	NOM. EFF.	FL. AMPS	APPR WT.	"C" DIM
1 1/2	1200	208-230/460	182T	GT0005	182TTDB6076	★	\$623	86.5	4.8-4.4/2.2	75	13.72
2	1200	208-230/460	184T	GT0008	184TTDB6076	★	\$634	87.5	6.4-5.8/2.9	99	14.72
3	1800	208-230/460	182T	GT0010	182TTDB6026	★	\$551	89.5	8.4-7.8/3.9	76	13.72
	1200	208-230/460	213T	GT0011	213TTDB6076	★	\$870	88.5	10.2-10.0/5.0	156	17.52
5	3600	208-230/460	182T	GT0012	182TTDB6001	★	\$581	86.5	13.2-11.8/5.9	126	13.72
	1800	208-230/460	184T	GT0013	184TTDB6026	★	\$620	89.5	13.6-12.4/6.2	130	14.72
	1200	208-230/460	215T	GT0014	215TTDB6076	★	\$1,012	89.5	16.8-15.2-14/7	281	17.52
7 1/2	3600	208-230/460	184T	GT0015	184TTDB6001	★	\$714	88.5	19.0-17.2/8.6	143	14.72
	1800	208-230/460	213T	GT0016	213TTDB6026	★	\$802	91.0	20.7-18.6/9.3	160	17.52
	1200	208-230/460	254T	GT0017	254TTDCA6076	★	\$1,266	90.2	21.8-21/10.5	281	22.64
10	3600	208-230/460	213T	GT0018	213TTDB6001	★	\$916	89.5	25.5-23.0/11.5	150	17.52
	1800	208-230/460	215T	GT0019	215TTDB6026	★	\$947	91.7	26.6-24.4/12.2	220	17.52
	1200	208-230/460	256T	GT0020	256TTDCA6076	★	\$1,578	91.7	28.3-26.8/13.4	305	24.22
15	3600	208-230/460	215T	GT0021	215TTDB6001	★	\$1,342	90.2	38.0-34.0/17.0	184	17.52
	1800	208-230/460	254T	GT0022	254TTDCA6026	★	\$1,311	93.0	37.0/18.5	310	22.64
	1200	208-230/460	284T	GT0023	284TTDCA6076	★	\$2,078	91.7	40.0/20.0	414	25.71
20	3600	208-230/460	254T	GT0024	254TTDCA6001	★	\$1,546	91.0	45.5/22.8	300	22.64
	1800	208-230/460	256T	GT0025	256TTDCA6026	★	\$1,623	93.0	48.0/24.0	360	24.22
	1200	208-230/460	286T	GT0026	286TTDCA6076	★	\$2,532	92.4	52.5/26.3	457	27.09
25	3600	208-230/460	256T	GT0027	256TTDCA6001	★	\$1,969	91.7	56.0/28.0	315	24.22
	1800	208-230/460	284T	GT0028	284TTDCA6026	★	\$1,915	93.6	62.0/31.0	424	25.71
	1200	208-230/460	324T	GT0029	324TTDCA6076	★	\$3,016	93.0	66.0/33.0	695	28.55
30	3600	208-230/460	284TS	GT0030	284TSTDCA6001	★	\$2,435	91.7	66.5/33.5	396	24.41
	1800	208-230/460	286T	GT0031	286TTDCA6026	★	\$2,210	94.1	73.0/36.5	483	27.09
	1200	208-230/460	326T	GT0032	326TTDCA6076	★	\$3,535	93.6	78.5/39.0	760	29.73
40	3600	208-230/460	286TS	GT0033	286TSTDCA6001	★	\$2,931	92.4	89.0/44.5	452	25.79
	1800	208-230/460	324T	GT0034	324TTDCA6026	★	\$2,777	94.1	95.0/47.5	581	28.55
	1200	208-230/460	364T	GT0035	364TTDCB6086	★	\$4,537	94.1	97.0/48.5	875	31.70
50	3600	208-230/460	324TS	GT0036	324TSTDCA6001	★	\$3,573	93.0	111/55.5	548	27.05
	1800	208-230/460	326T	GT0037	326TTDCA6026	★	\$3,310	94.5	118/59.0	710	29.73
	1200	208-230/460	365T	GT0038	365TTDCB6086	★	\$5,223	94.1	120/60.0	930	33.27
60	3600	208-230/460	326TS	GT0039	326TSTDCA6001	★	\$4,275	93.6	132/66.0	590	28.23
	1800	208-230/460	364T	GT0040	364TTDCB6060	★	\$3,935	95.0	139/69.5	1005	31.70
	1200	208-230/460	404T	GT0041	404TTDC6086	★	\$6,286	94.5	144/72.0	975	32.50

Blue shaded areas are Cast Iron Frames

Globetrotter® NEMA Premium® Efficiency, Three Phase

IP23 - Dripproof, Rigid Base

Multiplier Symbol E1

HP	RPM	VOLTS	FRAME	CAT NO.	MODEL NO.	STOCK	LIST PRICE	NOM. EFF.	F.L. AMPS	APPR WT.	"C" DIM
75	3600	208-230/460	364TS	GT0042	364TSTDCB6001	★	\$5,648	93.6	164/82.0	937	29.57
	1800	208-230/460	365T	GT0043	365TTDCB6060	★	\$4,713	95.0	174/87.0	1030	33.27
	1200	208-230/460	405T	GT0044	405TTDC16081	★	\$7,726	94.5	180/90.0	1100	34.00
100	3600	208-230/460	365TS	GT0045	365TSTDCB6001	★	\$6,912	93.6	224/112	1016	31.15
	1800	208-230/460	404T	GT0046	404TTDC6060	★	\$6,145	95.4	226/113	1025	37.20
	1200	208-230/460	444T	GT0047	444TTDC16077	★	\$9,591	95.0	232/116	1300	44.57
125	3600	460	404TS	GT0048	404TSTDC6001	★	\$8,269	94.1	138	973	33.85
	1800	460	405T	GT0049	405TTDC6060	★	\$7,778	95.4	140	1150	38.80
	1200	460	445T	GT0050	445TTDC16076	★	\$12,586	95.0	145	1500	44.57
150	3600	460	405TS	GT0051	405TSTDC6007	★	\$9,676	94.1	163	1075	35.45
	1800	460	444T	GT0052	444TTDC6060	★	\$10,442	95.8	168	1275	44.57
	1200	460	447T	GT0053	447TTDC16077	★	\$12,941	95.4	172	2050	49.70
200	3600	460	444TS	GT0054	444TSTDC16003	★	\$15,051	95.0	215	1277	40.83
	1800	460	445T	GT0055	445TTDC6060	★	\$13,102	95.8	220	1500	44.57
	1200	460	449T	GT0056	449TTDC16076	★	\$16,501	95.4	228	2200	49.70

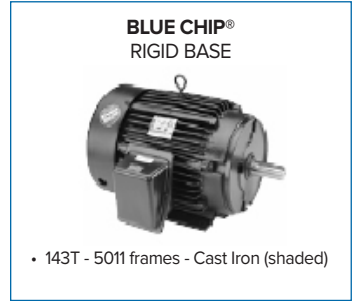
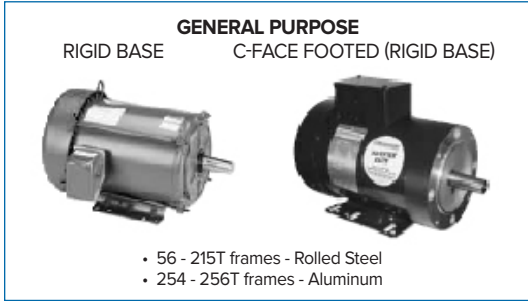
Blue shaded areas are Cast Iron Frames

C-Face Kits

CAT. NO.	FRAME	KIT NO.	LIST PRICE	WHERE USED (Models containing)	WEIGHT
A160	182T-184T	KIT 180TCD-WD	\$102	TTDB (2,4 and 6 pole)	14
A161	213T-215T	KIT 210TCD-WD	\$143	TTDB (2,4 and 6 pole)	22
A162	254T-256T	KIT 250TCD2-WD	\$165	TTDB (2 pole only)	32
A163	254T-256T	KIT 250TCD-WD	\$165	TTDB (4 and 6 pole only)	32
A164	284TS-286TS	KIT 280TCD2-WD	\$306	TSTDC (2 pole only)	38
A165	284T-286T	KIT 280TCD-WD	\$306	TTDC (4 and 6 pole only)	38
A166	324TS-326TS	KIT 320TCD2-WD	\$530	TSTDC (2 pole only)	45
A167	324T-326T	KIT 320TCD-WD	\$530	TTDC (4 and 6 pole only)	45
A168	364TS-365TS	KIT 360TCD2-WD	\$673	TSTDC (2 pole only)	85
A169	364T-365T	KIT 360TCD-WD	\$673	TTDC (4 and 6 pole only)	85

NEMA Premium® XRI® Efficiency Three Phase, Totally Enclosed

Applications: General purpose use on compressors, pumps, conveyors, blowers, and other machinery in dirty and dusty environments. Substantial energy savings can be realized when using these high efficiency motors. Guaranteed efficiencies offer an eXtra Return on your investment when using these premium efficiency motors on high cycle or long run time applications.



- Features:**
- Meets or exceeds NEMA Premium® efficiencies, except where noted
 - NEMA Premium® models are in compliance with EISA2007
 - Suitable for use on a VFD. Variable Torque and Constant Torque (as noted)
 - 1.15 Service Factor on sinewave, 1.0 Service Factor on IGBT power
 - F1 conduit box on Rigid Base, F3 on C-Face Footed (Rigid Base) motors
 - Shaft slinger
 - Class F insulation
 - 1.15 Service Factor
 - Ball bearings (except as noted)
 - C-Face Footed models are rated 60/50 Hz, same HP
 - Motors accept C-face kits, as noted
 - UL Recognized, CSA Certified and CE Mark
 - Three year warranty

Models through 40 HP are capable of modification as follows (contact factory to confirm):

- 1.25 Service Factor (sinewave only)
- 50Hz at same HP, 1.0 Service Factor (sinewave only)
- Certain combinations of existing and new nameplate markings are not possible (contact factory to confirm)
- Any nameplate changes are subject to modification charges (see MOD Central section)
- Contact Marathon Electric for optional nameplate markings on 50 HP and larger

Rigid Base

HP	RPM	VOLTS	FRAME	CAT NO.	MODEL NO.	STOCK	CT SPEED RANGE	LIST PRICE	MULT. SYMB.	NOM EFF.	F.L. AMPS	APPROX. WT. LBS.	"C" DIM.	FOOT NOTES	C-FACE KITS
1	3600	200	56H	E2150	56T34F16001		10:1	\$561	E9	80.0	3.2	24	11.31		A665
	3600	230/460	56H	E2100	56T34F15940	★	10:1	\$561	E9	80.0	2.8/1.4	24	11.31		A665
	3600	575	56H	E2125	56T34F16020		10:1	\$561	E9	80.0	1.1	24	11.31		A665
	1800	200	143T	E2151	143TTFR16038	★	10:1	\$465	E9	85.5	3.7	32	13.75		A642
	1800	230/460	143T	E2101	143TTFR15642	★	10:1	\$465	E9	85.5	3.2/1.6	32	13.75		A642
	1800	575	143T	E2126	143TTFR16040	★	10:1	\$465	E9	85.5	1.3	32	13.75		A642
	1200	200	145T	E2152	145TTFR16072		10:1	\$555	E9	82.5	4.4	42	13.75		A642
	1200	230/460	145T	E2102	145TTFR16078		10:1	\$555	E9	82.5	3.8/1.9	42	13.75		A642
	1200	575	145T	E2127	145TTFR16080		10:1	\$555	E9	82.5	1.5	42	13.75		A642
1 1/2	3600	200	143T	E2153	143TTFR16001		10:1	\$540	E9	84.0	4.6	37	13.75		A642
	3600	230/460	143T	E2103	143TTFR15582	★	10:1	\$540	E9	84.0	4.0/2.0	37	13.75		A642
	3600	575	143T	E2128	143TTFR16020		10:1	\$540	E9	84.0	1.6	37	13.75		A642
	3600	230/460	143T	E351	143TTTN6001	★	20:1	\$613	E9	86.5	4.0/2.0	54	10.43	d,N	A603
	1800	200	145T	E2154	145TTFR16038	★	10:1	\$478	E9	86.5	5.5	34	13.75		A642
	1800	230/460	145T	E2104	145TTFR16033	★	10:1	\$478	E9	86.5	4.8/2.4	34	13.75		A642
	1800	575	145T	E2129	145TTFR16040	★	10:1	\$478	E9	86.5	1.9	34	13.75		A642
	1200	200	182T	E2155	182TTFW16072		10:1	\$710	E9	87.5	6.4	89	15.96	13	A666
	1200	230/460	182T	E2105	182TTFW16076	★	10:1	\$710	E9	87.5	5.6/2.8	89	15.96	13	A666
	1200	208-230/460	182T	E823A	182TTFC6077	★	10:1	\$758	E9	87.5	6.2-5.6/2.8	98	15.96		N/A
	1200	575	182T	E2130	182TTFW16080		10:1	\$710	E9	87.5	2.2	89	15.96	13	A666
	1200	575	182T	E001	182TTFC6081	★	10:1	\$758	E9	87.5	2.2	98	15.96		N/A

Blue shaded areas are Cast Iron Frames

★ Requires nameplate modification
 @ Requires larger fan

NEMA Premium® XRI® Efficiency Three Phase, Totally Enclosed

Rigid Base

HP	RPM	VOLTS	FRAME	CAT NO.	MODEL NO.	STOCK	CT SPEED RANGE	LIST PRICE	MULT. SYMB.	NOM EFF.	F.L. AMPS	APPROX. WT. LBS.	"C" DIM.	FOOT NOTES	C-FACE KITS
2	3600	200	145T	E2156	145TTFR16001		10:1	\$578	E9	85.5	5.5	44	13.75		A642
	3600	230/460	145T	E2106	145TTFR13002	☆	10:1	\$578	E9	85.5	4.8/2.4	44	13.75		A642
	3600	575	145T	E2131	145TTFR16020		10:1	\$578	E9	85.5	1.9	44	13.75		A642
	3600	230/460	145T	E353	145TTTN6001	☆	20:1	\$642	E9	85.5	5.0/2.5	64	11.43	d,N,20	A603
	1800	200	145T	E2157	145TTFR16038	☆	10:1	\$525	E9	86.5	6.7	50	14.25		A642
	1800	230/460	145T	E2107	145TTFR16035	☆	10:1	\$525	E9	86.5	5.8/2.9	50	14.25		A642
	1800	575	145T	E2132	145TTFR16045	☆	10:1	\$525	E9	86.5	2.3	50	14.25		A642
	1200	200	184T	E2158	184TTFW16072		10:1	\$839	E9	88.5	8.3	89	15.97	13	A666
	1200	230/460	184T	E2108	184TTFW16076	☆	10:1	\$839	E9	88.5	7.2/3.6	89	15.97	13	A666
	1200	208-230/460	184T	E849A	184TTFC6077	☆	10:1	\$899	E9	88.5	7.9-7.2/3.6	125	15.96		N/A
	1200	575	184T	E2133	184TTFW16080		10:1	\$839	E9	88.5	2.9	89	15.97	13	A666
	1200	575	184T	E002	184TTFC6081	☆	10:1	\$899	E9	88.5	3.0	125	15.96		N/A
3	3600	200	182T	E2159	182TTFW16002		10:1	\$777	E9	86.5	8.7	66	13.97	13	A666
	3600	230/460	182T	E2109	182TTFW16001	☆	10:1	\$777	E9	86.5	7.6/3.8	66	13.97	13	A666
	3600	208-230/460	182T	U602A	182TTFC6002	☆	10:1	\$836	E9	86.5	8.4-7.6/3.8	66	13.96		N/A
	3600	575	182T	E2134	182TTFW16020		10:1	\$777	E9	86.5	3.0	66	13.97	13	A666
	3600	575	182T	U604A	182TTFC6006	☆	10:1	\$836	E9	86.5	3.0	66	13.96		N/A
	3600	230/460	182T	E216	182TTTS6001	☆	20:1	\$882	E9	89.5	7.6/3.8	94	12.71	d,N,20	A644
	1800	200	182T	E2160	182TTFW16038	☆	10:1	\$693	E9	89.5	9.0	80	14.97	13	A666
	1800	230/460	182T	E2110	182TTFW16026	☆	10:1	\$693	E9	89.5	7.8/3.9	80	14.97	13	A666
	1800	208-230/460	182T	U607A	182TTFC6027	☆	10:1	\$747	E9	89.5	8.9-7.8/3.9	104	15.89		N/A
	1800	575	182T	E2135	182TTFW16040	☆	10:1	\$693	E9	89.5	3.1	80	14.97	13	A666
	1800	575	182T	U609A	182TTFC6031	☆	10:1	\$747	E9	89.5	3.2	104	15.89		N/A
	1800	575	182T	E303	182TTTS6030	☆	1000:1	\$791	E9	90.2	3.2	100	12.71	d,N	A644
	1200	200	213T	E2161	213TTFW16072		10:1	\$1,026	E9	89.5	10.1	115	19.47		A609
	1200	230/460	213T	E2111	213TTFW16076	☆	10:1	\$1,026	E9	89.5	8.8/4.4	115	19.47		A609
	1200	208-230/460	213T	U610A	213TTFC6077	☆	10:1	\$1,093	E9	89.5	10.3-9.4/4.7	171	18.19		N/A
1200	575	213T	E2136	213TTFW16080		10:1	\$1,026	E9	89.5	3.5	115	19.47		A609	
1200	575	213T	E003	213TTFC6081	☆	10:1	\$1,093	E9	89.5	3.7	171	18.19		N/A	
5	3600	200	184T	E2162	184TTFW16002		10:1	\$882	E9	88.5	13.8	96	16.47	13	A666
	3600	230/460	184T	E2112	184TTFW16001	☆	10:1	\$882	E9	88.5	12.0/6.0	96	16.47	13	A666
	3600	208-230/460	184T	U613A	184TTFC6002	☆	10:1	\$959	E9	88.5	13.2-12.0/6.0	112	16.52		N/A
	3600	575	184T	E2137	184TTFW16020		10:1	\$882	E9	88.5	4.8	96	16.47	13	A666
	3600	575	184T	U615A	184TTFC6006	☆	10:1	\$959	E9	88.5	5.2	112	16.52		N/A
	1800	200	184T	E2163	184TTFW16038	☆	10:1	\$810	E9	89.5	14.7	94	15.97	13	A666
	1800	230/460	184T	E2113	184TTFW16026	☆	10:1	\$810	E9	89.5	12.8/6.4	94	15.97	13	A666
	1800	208-230/460	184T	U618A	184TTFC6027	☆	10:1	\$873	E9	89.5	14.0-12.8/6.4	109	16.80		N/A
	1800	575	184T	E2138	184TTFW16040	☆	10:1	\$810	E9	89.5	5.1	94	15.97	13	A666
	1800	575	184T	U620A	184TTFC6031	☆	10:1	\$873	E9	89.5	5.3	109	16.80		N/A
	1200	200	215T	E2164	215TTFW16072		10:1	\$1,326	E9	90.2	16.1	135	20.97		A609
	1200	230/460	215T	E2114	215TTFW16076	☆	10:1	\$1,326	E9	90.2	14.0/7.0	135	20.97		A609
	1200	208-230/460	215T	U621A	215TTFC6077	☆	10:1	\$1,377	E9	90.2	15.8-14.4/7.2	176	19.61		N/A
	1200	575	215T	E2139	215TTFW16080		10:1	\$1,326	E9	90.2	5.6	135	20.97		A609
	1200	575	215T	E004	215TTFC6081	☆	10:1	\$1,377	E9	90.2	5.8	176	19.61		N/A

Blue shaded areas are Cast Iron Frames

☆ Requires nameplate modification
@ Requires larger fan

NEMA Premium® XRI® Efficiency Three Phase, Totally Enclosed

Rigid Base

HP	RPM	VOLTS	FRAME	CAT NO.	MODEL NO.	STOCK	CT SPEED RANGE	LIST PRICE	MULT. SYMB.	NOM EFF.	F.L. AMPS	APPROX. WT. LBS.	"C" DIM.	FOOT NOTES	C-FACE KITS
7 1/2	3600	230/460	213T	E2115	213TTFW16001	★	10:1	\$1,066	E9	90.2	17.8/8.9	116	20.97		A609
	3600	208-230/460	213T	U624A	213TTFC6002	★	10:1	\$1,147	E9	90.2	19.8-18.0/9.0	147	18.19		N/A
	3600	230/460	213T	E218	213TTTS6001	★	2:1	\$1,184	E9	90.2	17.8/8.9	185	15.69	d,N	A206
	3600	575	213T	E2140	213TTFW16020		10:1	\$1,066	E9	90.2	7.1	116	20.97		A609
	3600	575	213T	U671A	213TTFC6006	★	10:1	\$1,147	E9	90.2	7.3	147	18.19		N/A
	1800	230/460	213T	E2116	213TTFW16026	★	10:1	\$1,000	E9	91.7	21.6/10.8	144	18.70		A667
	1800	208-230/460	213T	U629A	213TTFC6027	★	10:1	\$1,074	E9	91.7	20.5-18.6/9.3	155	18.19		N/A
	1800	575	213T	E2141	213TTFW16040	★	10:1	\$1,000	E9	91.7	8.6	144	18.70		A667
	1800	575	213T	U631A	213TTFC6031	★	10:1	\$1,074	E9	91.7	8.9	155	18.19		N/A
	1200	230/460	254T	E2117	254TTFL16076	★	10:1	\$1,744	E9	91.0	19.5/9.75	162	22.99		A1209
	1200	208-230/460	254T	U633A	254TTFC6077	★	10:1	\$1,806	E9	91.0	24.2-22.2/11.1	249	23.19		N/A
	1200	230/460	254T	E235	254TTFNA6076	★	20:1	\$1,872	E9	91.0	19.8/9.9	223	23.52	d	A284
1200	575	254T	E2142	254TTFL16080		10:1	\$1,744	E9	91.0	8.2	162	22.99		A1209	
1200	575	254T	E005	254TTFC6081	★	10:1	\$1,806	E9	91.0	8.5	249	23.19		N/A	
10	3600	230/460	215T	E2118	215TTFW16001	★	10:1	\$1,176	E9	91.7	23.6/11.8	137	22.22		A609
	3600	208-230/460	215T	U636A	215TTFC6002	★	10:1	\$1,286	E9	91.7	25.7-23.4/11.7	181	19.61		N/A
	3600	575	215T	E2143	215TTFW16020		10:1	\$1,176	E9	91.7	9.4	137	22.22		A609
	3600	575	215T	U637A	215TTFC6006	★	10:1	\$1,286	E9	91.7	9.6	181	19.61		N/A
	1800	230/460	215T	E2119	215TTFW16026	★	10:1	\$1,138	E9	91.7	26.8/13.4	161	19.70		A667
	1800	208-230/460	215T	U639A	215TTFC6027	★	10:1	\$1,190	E9	91.7	27.5-25.0/12.5	177	19.61		N/A
	1800	575	215T	E2144	215TTFW16040	★	10:1	\$1,138	E9	91.7	10.7	161	19.70		A667
	1800	575	215T	U641A	215TTFC6031	★	10:1	\$1,190	E9	91.7	10.3	177	19.61		N/A
	1800	575	215T	E306	215TTFS6030		20:1	\$1,353	E9	91.7	10.0	225	19.70	d,X	A206
	1200	230/460	256T	E2120	256TTFL16076	★	10:1	\$2,153	E9	91.0	26.5/13.3	185	26.24		A1209
	1200	208-230/460	256T	U642A	256TTFC6077	★	10:1	\$2,244	E9	91.0	32.4-29.9/14.5	300	24.92		N/A
	1200	230/460	256T	E236	256TTFNA6076	★	20:1	\$2,287	E9	91.0	26.2/13.1	368	25.27	d	A284
1200	575	256T	E2145	256TTFL16080		10:1	\$2,153	E9	91.0	11.4	185	26.24		A1209	
1200	575	256T	E006	256TTFC6081	★	10:1	\$2,244	E9	91.0	11.6	300	24.92		N/A	
15	3600	230/460	254T	E2121	254TTFL16001	★	10:1	\$1,672	E9	91.0	35.4/17.7	162	22.99		A1209
	3600	208-230/460	254T	U644A	254TTFC6002	★	10:1	\$1,719	E9	91.0	38.5-35.0/17.5	200	19.61		N/A
	3600	230/460	254T	E220	254TTFNA6001	★	2:1	\$1,815	E9	91.7	35.0/17.5	350	23.52	d	A284
	3600	575	254T	E2146	254TTFL16020		10:1	\$1,672	E9	91.0	14.2	162	22.99		A1209
	3600	575	254T	U638A	254TTFC6006	★	10:1	\$1,719	E9	91.0	14.3	200	19.61		N/A
	1800	230/460	254T	E2122	254TTFL16026	★	10:1	\$1,554	E9	92.4	38.1/19.1	174	22.99		A1209
	1800	208-230/460	254T	U647B	254TTFC6027	★	10:1	\$1,640	E9	92.4	39.6-36.0/18.0	280	23.19		N/A
	1800	230/460	254T	E205	254TTFNA6026	★	20:1	\$1,704	E9	92.4	37.6/18.8	350	23.52	d	A284
	1800	575	254T	E2147	254TTFL16040	★	10:1	\$1,554	E9	92.4	15.8	174	22.99		A1209
	1800	575	254T	U648A	254TTFC6031	★	10:1	\$1,640	E9	92.4	15.6	280	23.19		N/A
	1800	575	254T	E307	254TTFNA6030	★	20:1	\$1,704	E9	92.4	15.1	350	23.52	d	A284
	1200	230/460	284T	E237	284TTFNA6076	★	20:1	\$3,035	E9	91.7	40.8/20.4	475	26.34		A618
1200	208-230/460	284T	E978A	284TTFC6077	★	10:1	\$3,035	E9	91.7	44.7-40.6/20.3	333	26.26		N/A	
1200	575	284T	E007	284TTFC6081	★	10:1	\$3,035	E9	91.7	34.1	333	26.26		N/A	

Blue shaded areas are Cast Iron Frames

★ Requires nameplate modification
 @ Requires larger fan

XRI TEFC PREMIUM EFFICIENCY

NEMA Premium® XRI® Efficiency Three Phase, Totally Enclosed

Rigid Base

HP	RPM	VOLTS	FRAME	CAT NO.	MODEL NO.	STOCK	CT SPEED RANGE	LIST PRICE	MULT. SYMB.	NOM EFF.	F.L. AMPS	APPROX. WT. LBS.	"C" DIM.	FOOT NOTES	C-FACE KITS
20	3600	230/460	256T	E2123	256TTFL16002	☆	10:1	\$2,249	E9	91.0	47.0/23.5	186	24.74		A1209
	3600	208-230/460	256T	U649A	256TTFC6002	☆	10:1	\$2,351	E9	91.0	50.6-46.0/23.0	316	24.92		N/A
	3600	230/460	256T	E221	256TTFNA6001	☆	2:1	\$2,351	E9	92.4	46.8/23.4	375	25.27	d	A284
	3600	575	256T	E2148	256TTFL16020		10:1	\$2,249	E9	91.0	18.9	186	26.24		A1209
	3600	575	256T	U650A	256TTFC6006	☆	10:1	\$2,351	E9	91.0	18.5	316	24.92		N/A
	1800	230/460	256T	E2124	256TTFL16033	☆	10:1	\$1,935	E9	93.0	48.6/24.3	191	26.24		A1209
	1800	208-230/460	256T	U652B	256TTFC6027	☆	10:1	\$2,044	E9	93.0	53.9-49.0/24.5	322	24.92		N/A
	1800	230/460	256T	E206	256TTFNA6026	☆	20:1	\$2,123	E9	93.0	48.2/24.1	425	25.27	d	A284
	1800	575	256T	E2149	256TTFL16040	☆	10:1	\$1,935	E9	93.0	20.4	191	26.24		A1209
	1800	575	256T	U653A	256TTFC6031	☆	10:1	\$2,044	E9	93.0	20.2	322	24.92		N/A
	1800	575	256T	E308	256TTFNA6030	☆	20:1	\$2,123	E9	93.0	19.3	425	25.27	d	A284
	1200	230/460	286T	E238	286TTFNA6076	☆	20:1	\$3,698	E9	91.7	53.6/26.8	550	27.84		A618
	1200	208-230/460	286T	E968A	286TTFC6077	☆	10:1	\$3,698	E9	91.7	59.4-54.0/27.0	392	27.83		N/A
1200	575	286T	E008	286TTFC6081	☆	10:1	\$3,698	E9	91.7	45.4	550	27.84		N/A	
25	3600	230/460	284TS	E222	284TSTFNA6001	☆	2:1	\$2,771	E9	93.6	56.2/28.1	475	24.97		A618
	3600	208-230/460	284TS	E975A	284TSTFC6002	☆	10:1	\$2,771	E9	91.7	62.3-56.8/28.4	383	24.88		N/A
	3600	575	284TS	U654A	284TSTFC6006	☆	10:1	\$2,771	E9	91.7	23.8	383	24.88		N/A
	1800	230/460	284T	E207	284TTFNA6026	☆	20:1	\$2,528	E9	93.6	62.0/31.0	500	26.34		A618
	1800	208-230/460	284T	E961C	284TTFC6027	☆	10:1	\$2,528	E9	93.6	64.9-59.0/29.5	385	26.26		N/A
	1800	208-230/460	284TS	E999A	284TSTFC6036	☆	10:1	\$2,528	E9	93.6	64.9-59.0/29.5	385	26.26		N/A
	1800	575	284T	E309	284TTFNA6030	☆	20:1	\$2,528	E9	93.6	24.8	500	26.34		A618
	1800	575	284T	E800A	284TTFC6031	☆	10:1	\$2,528	E9	93.6	23.6	385	26.26		N/A
	1200	230/460	324T	E239	324TTFS6076	☆	20:1	\$4,482	E9	93.0	65.0/32.5	675	28.87		A214
	1200	208-230/460	324T	E820A	324TTFC6077	☆	10:1	\$4,482	E9	93.0	72.6-66.0/33.0	545	29.53		N/A
	1200	575	324T	E009	324TTFC6081	☆	10:1	\$4,482	E9	93.0	27.2	545	29.53		N/A
30	3600	230/460	286TS	E223	286TSTFNA6001	☆	2:1	\$3,236	E9	93.6	67.6/33.8	500	26.47		A618
	3600	208-230/460	286TS	E964A	286TSTFC6002	☆	10:1	\$3,236	E9	91.7	74.4-67.6/33.8	385	26.46		N/A
	3600	575	286TS	E819A	286TSTFC6006	☆	10:1	\$3,236	E9	91.7	28.4	385	26.46		N/A
	1800	230/460	286T	E208	286TTFNA6026	☆	20:1	\$2,940	E9	94.1	73.0/36.5	525	27.84		A618
	1800	208-230/460	286T	E983B	286TTFC6027	☆	10:1	\$2,940	E9	93.6	77.070.0/35.0	432	27.83		N/A
	1800	208-230/460	286TS	E818A	286TSTFC6036	☆	10:1	\$2,940	E9	93.6	77.070.0/35.0	432	27.83		N/A
	1800	575	286T	E310	286TTFNA6030	☆	20:1	\$2,940	E9	94.1	29.2	525	27.84		A618
	1800	575	286T	E817A	286TTFC6031	☆	10:1	\$2,940	E9	93.6	29.7	432	27.83		N/A
	1200	230/460	326T	E240	326TTFS6076	☆	20:1	\$5,162	E9	93.0	77.0/38.5	725	30.37		A214
	1200	208-230/460	326T	E966A	326TTFC6077	☆	10:1	\$5,162	E9	93.0	84.9-77.2/38.6	615	31.02		N/A
	1200	575	326T	E010	326TTFC6081	☆	10:1	\$5,162	E9	93.0	32.4	615	31.02		N/A
40	3600	230/460	324TS	E224	324TSTFS6001	☆	2:1	\$4,267	E9	93.6	94.0/47.0	675	27.37		A214
	3600	208-230/460	324TS	E971A	324TSTFC6002	☆	10:1	\$4,267	E9	92.4	97.9-89.0/44.5	504	28.03		N/A
	3600	575	324TS	E319	324TSTFS6005		2:1	\$4,267	E9	94.1	37.5	675	27.37		A214
	3600	575	324TS	E011	324TSTFC6006	☆	10:1	\$4,267	E9	92.4	35.4	504	28.03		N/A
	1800	230/460	324T	E209	324TTFS6026	☆	20:1	\$3,905	E9	94.1	95.0/47.5	750	30.37		A214
	1800	208-230/460	324T	E984B	324TTFC6027	☆	10:1	\$3,905	E9	94.1	101-92.0/46.0	528	29.53		N/A
	1800	208-230/460	324TS	E816A	324TSTFC6036	☆	10:1	\$3,905	E9	94.1	101-92.0/46.0	528	29.53		N/A
	1800	575	324T	E311	324TTFS6030	☆	20:1	\$3,905	E9	94.1	39.0	750	30.37		A214
	1800	575	324T	E815A	324TTFC6031	☆	10:1	\$3,905	E9	94.1	37.8	528	29.53		N/A
	1200	230/460	364T	E241A	364TTFS160XX	☆	20:1@	\$7,637	E9	94.1	100/50.0	950	31.50		A395
	1200	208-230/460	364T	E988A	364TTFC6087	☆	10:1	\$7,637	E9	94.1	112-102/51.0	636	32.64		N/A
	1200	575	364T	E012	364TTFC6081	☆	10:1	\$7,637	E9	94.1	42.8	636	32.64		N/A

Blue shaded areas are Cast Iron Frames

☆ Requires nameplate modification
@ Requires larger fan

NEMA Premium® XRI® Efficiency Three Phase, Totally Enclosed

Rigid Base

HP	RPM	VOLTS	FRAME	CAT NO.	MODEL NO.	STOCK	CT SPEED RANGE	LIST PRICE	MULT. SYMB.	NOM EFF.	FL. AMPS	APPROX. WT. LBS.	"C" DIM.	FOOT NOTES	C-FACE KITS	
50	3600	230/460	326TS	E225	326TSTFS6001	☆	2:1	\$5,520	E9	93.6	116/58.0	725	28.87		A214	
	3600	208-230/460	326TS	E976A	326TSTFC6002	☆	10:1	\$5,520	E9	93.0	122-111/55.5	554	29.53		N/A	
	3600	575	326TS	E320	326TSTFS6005		2:1	\$5,520	E9	94.5	46.5	725	28.87		A214	
	3600	575	326TS	E013	326TSTFC6006	☆	10:1	\$5,520	E9	93.0	44.5	554	29.53		N/A	
	1800	230/460	326T	E210	326TTFS6026	☆	20:1@	\$4,796	E9	94.5	120/60.0	775	31.87		A214	
	1800	208-230/460	326T	E962B	326TTFC6027	☆	10:1	\$4,796	E9	94.5	129-117/58.5	587	31.02		N/A	
	1800	208-230/460	326TS	E801A	326TSTFC6036	☆	10:1	\$4,796	E9	94.5	129-117/58.5	587	31.02		N/A	
	1800	575	326T	E312	326TTFS6030	☆	20:1@	\$4,796	E9	94.5	48.0	775	31.87		A214	
	1800	575	326T	U659A	326TTFC6031	☆	10:1	\$4,796	E9	94.5	47.9	587	31.02		N/A	
	1200	230/460	365T	E242A	365TTFS160XX	☆	20:1@	\$8,569	E9	94.1	123/61.5	1000	32.50		A395	
	1200	208-230/460	365T	E993A	365TTFC6087	☆	10:1	\$8,569	E9	94.1	136-124/62	672	33.62		N/A	
	1200	575	365T	E014	365TTFC6081	☆	10:1	\$8,569	E9	94.1	52.1	672	33.62		N/A	
60	3600	230/460	364TS	E226	364TSTFS6001	☆	2:1	\$7,263	E9	94.5	134/67.0	925	29.38		A396	
	3600	208-230/460	364TS	E960A	364TSTFC6002	☆	10:1	\$7,263	E9	93.6	149-136/68.0	735	30.51		N/A	
	3600	575	364TS	E321	364TSTFS6005		2:1	\$7,263	E9	94.5	53.5	925	29.38		A396	
	3600	575	364TS	E015	364TSTFC6006	☆	10:1	\$7,263	E9	93.6	53.7	735	30.51		N/A	
	1800	230/460	364T	E211	364TTFS6036	☆	20:1@	\$6,880	E9	95.0	138/69.0	1000	31.50		A395	
	1800	208-230/460	364T	E985B	364TTFC6037	☆	10:1	\$6,880	E9	95.0	151-137/68.5	666	32.64		N/A	
	1800	208-230/460	364TS	E802A	364TSTFC6026	☆	10:1	\$6,880	E9	95.0	151-137/68.5	666	32.64		N/A	
	1800	575	364T	E313	364TTFS6040	☆	20:1@	\$6,880	E9	95.0	55.0	1000	31.50		A395	
	1800	575	364T	U660A	364TTFC6041	☆	10:1	\$6,880	E9	95.0	55.6	666	32.64		N/A	
	1200	230/460	404T	E243	404TTFS6086	☆	20:1@	\$9,414	E9	94.5	144/72.0	1200	35.62		A223	
	75	3600	230/460	365TS	E227	365TSTFS6001	☆	2:1	\$9,120	E9	94.5	168/84.0	1025	30.38		A396
		3600	208-230/460	365TS	E991A	365TSTFC6003	☆	10:1	\$9,120	E9	93.6	186-169/84.5	780	31.50		N/A
3600		575	365TS	E322	365TSTFS6002		2:1	\$9,120	E9	94.5	67.0	1025	30.38		A396	
3600		575	365TS	E016	365TSTFC6006	☆	10:1	\$9,120	E9	93.6	67.3	780	31.50		N/A	
1800		230/460	365T	E212	365TTFS6036	☆	20:1@	\$8,722	E9	95.4	172/86.0	1100	32.50		A395	
1800		208-230/460	365T	E957A	365TTFC6037	☆	10:1	\$8,722	E9	95.4	188-171/85.5	733	33.62		N/A	
1800		208-230/460	365TS	E804A	365TSTFC6026	☆	10:1	\$8,722	E9	95.4	188-171/85.5	733	33.62		N/A	
1800		575	365T	E315	365TTFS6040	☆	20:1@	\$8,722	E9	95.4	69.0	1100	32.50		A395	
1800		575	365T	E805A	365TTFC6041	☆	10:1	\$8,722	E9	95.4	71.0	733	33.62		N/A	
1200		230/460	405T	E244	405TTFS6086	☆	20:1@	\$11,081	E9	94.5	180/90	1300	37.12		A223	
100		3600	230/460	405TS	E228	405TSTFS6001	☆	2:1	\$12,220	E9	95.0	216/108	1250	34.12		A226
		3600	575	405TS	E323	405TSTFS6005		2:1	\$12,220	E9	95.0	86.5	1250	34.12		A226
	1800	230/460	405T	E213	405TTFS6036	☆	20:1@	\$10,776	E9	95.4	226/113	1375	37.12		A223	
	1800	230/460	405TS	E808A	405TSTFS16033	☆	20:1@	\$10,776	E9	95.4	226/113	1375	34.12		A223	
	1800	575	405T	E314	405TTFS6040	☆	20:1@	\$10,776	E9	95.4	90.5	1375	37.12		A223	
	1200	230/460	444T	E328	444TTFN6086	☆	20:1@	\$16,341	E9	95.0	248/124	2000	41.25		A620	
125	3600	460	444TS	E229	444TSTFS6001	☆	2:1	\$15,975	E9	95.4	136	1750	37.50	PW	A226	
	3600	575	444TS	E324	444TSTFS16002		2:1	\$15,975	E9	95.4	109	1750	37.50	PW	A232	
	1800	460	444T	E214	444TTFS6036	☆	20:1@	\$14,186	E9	95.4	141	1850	41.25	PW	A223	
	1800	460	444TS	E810A	444TSTFN16033	☆	20:1@	\$14,186	E9	95.4	141	1850	37.50		A223	
	1800	575	444T	E316	444TTFS6044		20:1@	\$14,186	E9	95.4	113	1850	41.25	PW	A223	
	1200	460	445T	E246	445TTFN6086	☆	20:1@	\$18,603	E9	95.0	155	2050	43.19		A620	

Blue shaded areas are Cast Iron Frames

☆ Requires nameplate modification
@ Requires larger fan

NEMA Premium® XRI® Efficiency Three Phase, Totally Enclosed

Rigid Base

HP	RPM	VOLTS	FRAME	CAT NO.	MODEL NO.	STOCK	CT SPEED RANGE	LIST PRICE	MULT. SYMB.	NOM EFF.	F.L. AMPS	APPROX. WT. LBS.	"C" DIM.	FOOT NOTES	C-FACE KITS
150	3600	460	445TS	E230	445STFN6001	★	2:1	\$19,191	E9	95.8	165	2050	39.44		A621
	1800	460	445T	E215	445TTFN6036	★	20:1@	\$16,493	E9	95.8	172	2050	43.19		A621
	1800	460	445TS	E811A	445STFN6026	★	20:1@	\$16,493	E9	95.8	172	2050	39.44		A621
	1800	575	445T	E317	445TTFN6037		20:1@	\$16,493	E9	95.8	138	2050	43.19	PW	A621
	1200	460	445T	E289	445TTFN6087		20:1@	\$20,813	E9	95.8	181	2500	43.19	RB	N/A
200	3600	460	445TS	E342	445STFN16004	★	2:1	\$24,277	E9	95.8	222	2300	39.44		A621
	1800	460	445T	E247	445TTFN6038	★	20:1@	\$20,058	E9	96.2	226	2350	43.19	RB	N/A
	1800	460	445TS	E813A	445STFN6026	★	20:1@	\$20,058	E9	96.2	226	2350	39.44		A621
	1800	575	445T	E326	445TTFN6039		20:1@	\$20,058	E9	96.2	181	2350	43.19	RB	N/A
	1200	460	447/9T	E282	449TTF6088	★	20:1@	\$25,479	E9	95.8	240	2900	51.69	H, RB	N/A
250	3600	460	447/9TS	E271	449STFS6003		2:1	\$30,617	E9	96.5	274	2700	47.88	H	A624
	1800	460	445T	E287	445TTFN6040		20:1@	\$23,645	E9	95.8	285	2150	43.19	RB, NP	N/A
	1800	460	447/9T	E276	449TTF6038		20:1@	\$25,419	E9	96.5	285	2850	51.69	H, RB	N/A
	1200	460	L447/9T	E283	449TTF6087		20:1@	\$29,288	E9	95.8	300	3350	51.69	H, RB	N/A
300	3600	460	447/9TS	E272	449STFS6002		2:1	\$39,686	E9	96.2	330	2700	47.88	H	A624
	1800	460	447/9T	E277	449TTF6037		20:1@	\$28,756	E9	96.5	339	3150	51.69	H, RB	N/A
	1200	460	L447/9T	E284	449TTF6390		N/A	\$38,669	E9	95.8	362	3850	56.71	H, RB	N/A
350	3600	460	447/9TS	E273	449STFS6001		2:1	\$45,511	E9	96.2	382	2950	47.88		A624
	1800	460	447/9T	E278	-----		2:1	\$37,524	E9	96.2	395	3400	51.69	H, RB	N/A
400	1800	460	447/9T	E291	-----		2:1	\$37,865	E9	95.8	455	3800	56.71	H	A623
450	1800	460	L447/9T	E292	449TTF6065		N/A	\$38,822	E9	96.5	515	3800	56.71	H	A623

Blue shaded areas are Cast Iron Frames

★ Requires nameplate modification
@ Requires larger fan

C-Face Footed (Rigid Base)

HP	RPM	VOLTS	FRAME	CAT NO.	MODEL NO.	STOCK	CT SPEED RANGE	LIST PRICE	MULT. SYMB.	NOM EFF.	F.L. AMPS	APPROX. WT. LBS.	"C" DIM.	FOOT NOTES
1	3600	230/460	56C	E2000	56T34F5940	★	10:1	\$592	E9	80.0	2.8/1.4	24	11.31	
	1800	230/460	143TC	E2001	143TTFR5642	★	10:1	\$476	E9	85.5	3.2/1.6	32	13.75	
	1200	230/460	145TC	E2002	145TTFR6078	★	10:1	\$573	E9	82.5	3.8/1.9	42	13.75	
1 1/2	3600	230/460	143TC	E2003	143TTFR5582	★	10:1	\$551	E9	84.0	4.0/2.0	37	13.75	
	1800	230/460	145TC	E2004	145TTFR6033	★	10:1	\$518	E9	86.5	4.8/2.4	34	13.75	
	1200	230/460	182TC	E2005	182TTFR6076	★	10:1	\$749	E9	87.5	4.4/2.2	82	16.19	d
	1200	230/460	182TC	E2005	182TTFW6076	★	10:1	\$749	E9	87.5	5.1/2.6	59	14.47	13
2	3600	230/460	145TC	E2006	145TTFR3002	★	10:1	\$610	E9	85.5	4.8/2.4	44	13.75	
	1800	230/460	145TC	E2007	145TTFR6035	★	10:1	\$568	E9	86.5	5.8/2.9	50	14.25	
	1200	230/460	184TC	E2008	184TTFR6076	★	10:1	\$858	E9	88.5	6.0/3.0	94	17.19	d
	1200	230/460	184TC	E2008	184TTFW6076	★	10:1	\$858	E9	88.5	6.4/3.2	94	14.97	13
3	3600	230/460	182TC	E2009	182TTFR6001	★	10:1	\$791	E9	87.5	7.6/3.8	83	15.69	d
	3600	230/460	182TC	E2009	182TTFW6001	★	10:1	\$791	E9	87.5	7.8/3.9	83	13.97	13
	1800	230/460	182TC	E2010	182TTFR6026	★	10:1	\$710	E9	89.5	8.0/4.0	87	16.19	d
	1800	230/460	182TC	E2010	182TTFW6026	★	10:1	\$710	E9	89.5	7.8/3.9	87	13.97	13
	1200	230/460	213TC	E2011	213TTFW6076	★	10:1	\$1,047	E9	89.5	8.8/4.4	115	19.47	
5	3600	230/460	184TC	E2012	184TTFR6001	★	10:1	\$917	E9	88.5	12.0/6.0	95	16.67	d
	3600	230/460	184TC	E2012	184TTFW6001	★	10:1	\$917	E9	88.5	12.0/6.0	95	14.97	13
	1800	230/460	184TC	E2013	184TTFR6026	★	10:1	\$828	E9	90.2	12.4/6.2	110	17.19	d
	1800	230/460	184TC	E2013	184TTFW6026	★	10:1	\$828	E9	90.2	12.6/6.3	110	14.97	13
	1200	230/460	215TC	E2014	215TTFW6076	★	10:1	\$1,348	E9	90.2	14.0/7.0	135	20.97	
7 1/2	3600	230/460	213TC	E2015	213TTFW6001	★	10:1	\$1,127	E9	91.7	17.8/8.9	116	20.97	
	1800	230/460	213TC	E2016	213TTFW6026	★	10:1	\$1,023	E9	91.7	19.4/9.7	143	20.97	
10	3600	230/460	215TC	E2018	215TTFW6001	★	10:1	\$1,199	E9	91.7	23.6/11.8	137	22.22	
	1800	230/460	215TC	E2019	215TTFW6026	★	10:1	\$1,164	E9	91.7	25.6/12.8	164	22.22	

Globetrotter® NEMA Premium® Efficiency, Three Phase

Totally Enclosed, Rigid Base

- Features:**
- Meets NEMA Premium® efficiency
 - 182T-449T models cast iron frame and brackets
 - Inverter Duty 10:1 Variable Torque and 10:1 Constant Torque, 1.0 SF
 - 1.15 Service Factor
 - Class F Insulation
 - Standard assembly F1, reversible to F2 assembly
 - Will accept C-Face kits
 - UL Recognized, CSA Certified, CE Mark
 - Two year warranty



Multiplier Symbol E1

HP	RPM	VOLTS	FRAME	CAT NO.	MODEL NO.	STOCK	LIST PRICE	NOM. EFF.	FL. AMPS	APPR WT.	"C" DIM
1 1/2	1200	208-230/460	182T	GT1005	182TTFC6076	★	\$697	87.5	4.8/2.4	89	14.80
	1200	575	182T	GT1105	182TTFC6080	★	\$697	87.5	1.9	89	14.80
2	1200	208-230/460	184T	GT1008	184TTFC6076	★	\$824	88.5	6.0/3.0	125	15.80
	1200	575	184T	GT1108	184TTFC6080	★	\$824	88.5	2.4	125	15.80
3	3600	208-230/460	182T	GT1009	182TTFC6001	★	\$866	86.5	7.6/3.8	94	14.80
	3600	575	182T	GT1109	182TTFC6005	★	\$866	86.5	3.1	94	14.80
	1800	208-230/460	182T	GT1010	182TTFC6026	★	\$777	89.5	7.8/3.9	102	14.80
	1800	575	182T	GT1110	182TTFC6030	★	\$777	89.5	3.1	102	14.80
	1200	208-230/460	213T	GT1011	213TTFC6076	★	\$1,178	89.5	8.6/4.3	173	18.25
	1200	575	213T	GT1111	213TTFC6080	★	\$1,178	89.5	3.5	173	18.25
5	3600	208-230/460	184T	GT1012	184TTFC6001	★	\$963	88.5	12.0/6.0	109	15.80
	3600	575	184T	GT1112	184TTFC6005	★	\$963	88.5	4.8	109	15.80
	1800	208-230/460	184T	GT1013	184TTFC6026	★	\$901	89.5	12.4/6.2	117	15.80
	1800	575	184T	GT1113	184TTFC6030	★	\$901	89.5	5	117	15.80
	1200	208-230/460	215T	GT1014	215TTFC6076	★	\$1,447	89.5	14/7	203	19.75
	1200	575	215T	GT1114	215TTFC6080	★	\$1,447	89.5	5.6	203	19.75
7 1/2	3600	208-230/460	213T	GT1015	213TTFC6001	★	\$1,163	89.5	17.8/8.9	185	18.25
	3600	575	213T	GT1115	213TTFC6005	★	\$1,163	89.5	7.1	185	18.25
	1800	208-230/460	213T	GT1016	213TTFC6026	★	\$1,104	91.7	18.6/9.3	194	18.25
	1800	575	213T	GT1116	213TTFC6030	★	\$1,104	91.7	7.5	194	18.25
	1200	208-230/460	254T	GT1017	254TTFCA6076	★	\$1,839	91.0	20.4/10.2	223	23.52
	1200	575	254T	GT1117	254TTFCA6080	★	\$1,839	91.0	8.4	223	23.52
10	3600	208-230/460	215T	GT1018	215TTFC6001	★	\$1,358	90.2	22.8/11.4	217	19.75
	3600	575	215T	GT1118	215TTFC6005	★	\$1,358	90.2	9.1	217	19.75
	1800	208-230/460	215T	GT1019	215TTFC6026	★	\$1,329	91.7	24.4/12.2	225	19.75
	1800	575	215T	GT1119	215TTFC6030	★	\$1,329	91.7	9.8	225	19.57
	1200	208-230/460	256T	GT1020	256TTFCA6076	★	\$2,246	91.0	26.8/13.4	368	25.27
	1200	575	256T	GT1120	256TTFCA6080	★	\$2,246	91.0	11.2	368	25.27
15	3600	208-230/460	254T	GT1021	254TTFCA6001	★	\$1,783	91.0	34/17	350	23.52
	3600	575	254T	GT1121	254TTFCA6005	★	\$1,783	91.0	13.6	350	23.52
	1800	208-230/460	254T	GT1022	254TTFCA6026	★	\$1,674	92.4	37/18.5	375	23.52
	1800	575	254T	GT1122	254TTFCA6030	★	\$1,674	92.4	14.8	375	23.52
	1200	208-230/460	284T	GT1023	284TTFCA6076	★	\$2,981	91.7	39.5/19.8	475	26.34
	1200	575	284T	GT1123	284TTFCA6080	★	\$2,981	91.7	15.9	475	26.34

Blue shaded areas are Cast Iron Frames

Globetrotter® NEMA Premium® Efficiency, Three Phase

Totally Enclosed, Rigid Base

Multiplier Symbol E1

HP	RPM	VOLTS	FRAME	CAT NO.	MODEL NO.	STOCK	LIST PRICE	NOM. EFF.	F.L. AMPS	APPR WT.	"C" DIM
20	3600	208-230/460	256T	GT1024	256TTFCA6001	★	\$2,209	91.0	46/23	375	25.27
	3600	575	256T	GT1124	256TTFCA6005	★	\$2,209	91.0	18.4	375	25.27
	1800	208-230/460	256T	GT1025	256TTFCA6026	★	\$2,085	93.0	48/24	425	25.27
	1800	575	256T	GT1125	256TTFCA6030	★	\$2,085	93.0	19.6	425	25.27
	1200	208-230/460	286T	GT1026	286TTFCA6076	★	\$3,632	91.7	52/26	550	87.84
	1200	575	286T	GT1126	286TTFCA6080	★	\$3,632	91.7	20.8	550	27.84
	25	3600	208-230/460	284TS	GT1027	284TSTFCA6001	★	\$2,722	91.7	55.5/27.7	475
3600		575	284TS	GT1127	284TSTFCA6005	★	\$2,722	91.7	22.4	475	24.97
1800		208-230/460	284T	GT1028	284TTFCA6026	★	\$2,483	93.6	62/31	500	26.34
1800		575	284T	GT1128	284TTFCA6030	★	\$2,483	93.6	24.4	500	26.34
1200		208-230/460	324T	GT1029	324TTFCA6076	★	\$4,403	93.0	66/33	675	28.87
1200		575	324T	GT1129	324TTFCA6080	★	\$4,403	93.0	26.8	675	28.87
30		3600	208-230/460	286TS	GT1030	286TSTFCA6001	★	\$3,178	91.7	66/33	500
	3600	575	286TS	GT1130	286TSTFCA6005	★	\$3,178	91.7	27.2	500	26.47
	1800	208-230/460	286T	GT1031	286TTFCA6026	★	\$2,888	93.6	73/36.5	525	27.84
	1800	575	286T	GT1131	286TTFCA6030	★	\$2,888	93.6	29.2	252	27.84
	1200	208-230/460	326T	GT1032	326TTFCA6076	★	\$5,070	93.0	80/40	725	30.37
	1200	575	326T	GT1132	326TTFCA6080	★	\$5,070	93.0	32	725	30.37
	40	3600	208-230/460	324TS	GT1033	324TSTFCA6001	★	\$4,192	92.4	88/44	675
3600		575	324TS	GT1133	324TSTFCA6005	★	\$4,192	92.4	35	675	27.37
1800		208-230/460	324T	GT1034	324TTFCA6026	★	\$3,863	94.1	94/47	750	30.37
1800		575	324T	GT1134	324TTFCA6030	★	\$3,863	94.1	37.5	750	30.37
1200		208-230/460	364T	GT1035	364TTFCA6086	★	\$6,871	94.1	94/47	950	36.60
1200		575	364T	GT1135	364TTFCA6080	★	\$6,871	94.1	38.5	950	36.60
50		3600	208-230/460	326TS	GT1036	326TSTFCA6001	★	\$5,422	93.0	109/54.5	725
	3600	575	326TS	GT1136	326TSTFCA6005	★	\$5,422	93.0	43.5	725	28.87
	1800	208-230/460	326T	GT1037	326TTFCA6026	★	\$4,710	94.5	119/59.5	775	31.87
	1800	575	326T	GT1137	326TTFCA6030	★	\$4,710	94.5	47.5	775	31.87
	1200	208-230/460	365T	GT1038	365TTFCA6086	★	\$7,892	94.1	117/58.5	1000	38.40
	1200	575	365T	GT1138	365TTFCA6080	★	\$7,892	94.1	47	1000	38.40
	60	3600	208-230/460	364TS	GT1039	364TSTFCA6001	★	\$7,134	93.6	132/66	925
3600		575	364TS	GT1139	364TSTFCA6005	★	\$7,134	93.6	53	925	34.57
1800		208-230/460	364T	GT1040	364TTFCA6036	★	\$6,758	95.0	138/69	1000	36.60
1800		575	364T	GT1140	364TTFCA6040	★	\$6,758	95.0	55	1000	36.60
1200		208-230/460	404T	GT1041	404TTFC6086	★	\$9,246	94.5	140/70	1200	42.72
1200		575	404T	GT1141	404TTFC6080	★	\$9,246	94.5	56	1200	42.72
75		3600	208-230/460	365TS	GT1042	365TSTFCA6001	★	\$8,958	93.6	164/82	1025
	3600	575	365TS	GT1142	365TSTFCA6002	★	\$8,958	93.6	65.5	1025	36.35
	1800	208-230/460	365T	GT1043	365TTFCA6036	★	\$8,567	95.4	170/85	1100	38.40
	1800	575	365T	GT1143	365TTFCA6040	★	\$8,567	95.4	69	1100	38.40
	1200	208-230/460	405T	GT1044	405TTFC6086	★	\$10,884	94.5	174/87	1300	42.72
	1200	575	405T	GT1144	405TTFC6080	★	\$10,884	94.5	69.5	1300	42.72

Blue shaded areas are Cast Iron Frames

GLOBETROTTER®
TEFC

Globetrotter® NEMA Premium® Efficiency, Three Phase

Totally Enclosed, Rigid Base

Multiplier Symbol E1

HP	RPM	VOLTS	FRAME	CAT NO.	MODEL NO.	STOCK	LIST PRICE	NOM. EFF.	F.L. AMPS	APPR WT.	"C" DIM
100	3600	208-230/460	405TS	GT1045	405TSTFC6001	★	\$12,003	94.1	216/108	1250	39.75
	3600	575	405TS	GT1145	405TSTFC6005	★	\$12,003	94.1	87.5	1250	39.75
	1800	208-230/460	405T	GT1046	405TTFC6036	★	\$10,584	95.4	224/112	1375	42.72
	1800	575	405T	GT1146	405TTFC6040	★	\$10,584	95.4	89.5	1375	42.72
	1200	208-230/460	444T	GT1047	444TTFC6086	★	\$16,050	95.0	228/114	2000	50.80
	1200	575	444T	GT1147	444TTFC6080	★	\$16,050	95.0	91	2000	50.80
125	3600	460	444TS	GT1048	444TSTFC6001	★	\$15,691	95.0	136	1750	47.05
	3600	575	444TS	GT1148	444TSTFC16002	★	\$15,691	95.0	109	1750	47.05
	1800	460	444T	GT1049	444TTFC6036	★	\$13,934	95.4	140	1850	50.80
	1800	575	444T	GT1149	444TTFC6044	★	\$13,934	95.4	112	1850	50.80
	1200	460	445T	GT1050	445TTFC6086	★	\$18,272	95.0	142	2050	50.80
	1200	575	445T	GT1150	445TTFC6080	★	\$18,272	95.0	114	2050	50.80
150	3600	460	445TS	GT1051	445TSTFC6001	★	\$18,850	95.0	162	2050	47.05
	3600	575	445TS	GT1151	445TSTFC6005	★	\$18,850	95.0	130	2050	47.05
	1800	460	445T	GT1052	445TTFC6036	★	\$16,199	95.8	165	2050	50.80
	1800	575	445T	GT1152	445TTFC6037	★	\$16,199	95.8	132	2050	50.80
	1200	460	447T	GT1053	447TTFC6087	★	\$20,444	95.8	170	2500	55.90
	1200	575	447T	GT1153	447TTFC6080	★	\$20,444	95.8	136	2500	55.90
200	3600	460	447TS	GT1054	447TSTFC16004	★	\$23,846	95.4	215	2300	52.17
	3600	575	447TS	GT1154	447TSTFC6005	★	\$23,846	95.4	172	2300	52.17
	1800	460	447T	GT1055	447TTFC6038	★	\$19,701	96.2	225	2350	55.90
	1800	575	447T	GT1155	447TTFC6039	★	\$19,701	96.2	180	2350	55.90
	1200	460	449T	GT1056	449TTFC6088	★	\$25,026	95.8	228	2900	55.90
	1200	575	449T	GT1156	449TTFC6080	★	\$25,026	95.8	182	2900	55.90

Blue shaded areas are Cast Iron Frames

C-Face Kits

CAT. NO.	FRAME	KIT NO.	LIST PRICE	WHERE USED (Models containing)	WEIGHT
A170	182T-184T	KIT 180TCF-WD	\$102	TTFBA	14
A171	213T-215T	KIT 210TCF-WD	\$143	TTFBA	22
A172	254T-256T	KIT 250TCF2-WD	\$165	TTFCA (2 pole only)	32
A173	254T-256T	KIT 250TCF-WD	\$165	TTFCA (4 and 6 pole only)	32
A174	284TS-286TS	KIT 280TCF2-WD	\$306	TSTFCA (2 pole only)	38
A175	284T-286T	KIT 280TCF-WD	\$306	TTFC (4 and 6 pole)	38
A176	324TS-326TS	KIT 320TCF2-WD	\$530	TSTFCA (2 pole only)	45
A177	324T-326T	KIT 320TCF-WD	\$530	TTFCA (4 and 6 pole only)	45
A178	364TS-365TS	KIT 360TCF2-WD	\$673	TSTFCA (2 pole only)	85
A179	364T-365T	KIT 360TCF-WD	\$673	TTFCA (4 and 6 pole only)	85

Blue Chip® Severe Duty / Automotive Duty NEMA Premium® XRI®, Hazardous Duty Totally Enclosed, Rigid Base, Three Phase



Applications: Chemical plants, paper mills, refineries, mines, food processing, foundries, and other severe duty environments where long life and ultra-high efficiency are desired. Guaranteed efficiencies offer an eXtra Return on you Investment when using these premium efficiency motors on high cycle or long run applications.

- Features:**
- **Meets or exceeds NEMA Premium® efficiencies, except where noted**
 - Blue Chip® quality, 100% cast iron construction for rigidity and reduced vibration
 - Provisions to add stub shaft for an excoder (182T-449T, TEFC only)
 - Internal and external epoxy paint
 - MAX GUARD® Class F insulation system
 - 1.15 Service Factor on sinewave, 1.0 Service Factor on IGBT power
 - Bearing caps (254T and larger)
 - Precision balanced to .08"/sec.
 - Extended grease tubes, regreasable in service
 - Brass drain and breather
 - Meets IEEE45 USCG Marine Duty, IP54 Construction
 - Meets Ford EM1 Automotive Duty Specification
 - Hazardous Duty™ Division 2 CSA certification nameplate, for hazardous locations, Class I, Groups A, B, C, and D
 - Meets temperature code T2B
 - Actual test and vibration data supplied with each motor
 - Ball bearings (except as noted)
 - UL Recognized (through 449T) and CSA Certified
 - Three Year Warranty



IP54



Models through 40 HP are capable of modification as follows (contact factory to confirm):

- 1.25 Service Factor (sinewave only)
- 50Hz at same HP, 1.0 Service Factor (sinewave only)
- Certain combinations of existing and new nameplate markings are not possible (contact factory to confirm)
- Any nameplate changes are subject to modification charges (see MOD Central section)
- Contact Marathon Electric for optional nameplate markings on 50 HP and larger

Rigid Base

HP	RPM	VOLTS	FRAME	CAT NO.	MODEL NO.	STOCK	CT SPEED RANGE	LIST PRICE	MULT. SYMB.	NOM EFF.	F.L. AMPS	APPROX. WT. LBS.	"C" DIM.	FOOT NOTES	C-FACE KITS
3/4	1200	460	143T	E648	143TTTN6576	☆	1000:1	\$600	E9	80.0	1.4	53	10.43	75,76,N,NE	A603
	1200	460	143T	E373	143TTFN6576		20:1	\$660	E9	80.0	1.4	53	12.92	75,76,NE	A603
1	1800	460	143T	E649	143TTTN6526	☆	1000:1	\$490	E9	85.5	1.5	55	10.43	75,76,N,NE	A603
	1800	460	143T	E374	143TTFN6526		20:1	\$539	E9	85.5	1.5	71	12.92	75,76	A603
	1800	230/460	143T	E461	143TTTN6563	☆	1000:1	\$490	E9	85.5	3.1/1.5	55	12.95	75,76,N,NE	A603
	1800	230/460	143T	E375	143TTFN6563		20:1	\$539	E9	85.5	3.1/1.5	71	12.95	75,76	A603
	1800	575	143T	E666	143TTTN6530	☆	1000:1	\$490	E9	85.5	1.2	55	10.43	75,76,N,NE	A603
	1800	575	143T	E376	143TTFN16539		20:1	\$539	E9	85.5	1.2	71	14.17	75,76	A603
	1200	460	145T	E650	145TTTN6576	☆	1000:1	\$616	E9	80.0	1.7	60	11.43	75,76,N,NE	A655
	1200	230/460	145T	E462	145TTTN6584		1000:1	\$616	E9	80.0	3.3/1.65	60	11.43	75,76,N,NE	A655
1 1/2	3600	460	143T	E651	143TTTN6501	☆	1000:1	\$613	E9	86.5	2.0	58	10.43	75,76,N,NE	A603
	3600	460	143T	E377	143TTFN6501		20:1	\$673	E9	85.5	2.0	64	14.17	75,76	A603
	3600	230/460	143T	E463	143TTTN6502		1000:1	\$613	E9	86.5	4.0/2.0	58	10.43	75,76,N,NE	A603
	3600	230/460	143T	E378	143TTFN6502		20:1	\$673	E9	85.5	4.0/2.0	64	14.17	75,76	A603
	3600	575	143T	E851	143TTTN6505	☆	1000:1	\$613	E9	86.5	1.6	58	10.43	75,76,N,NE,d	A603
	3600	575	143T	E379	143TTFN6505		20:1	\$673	E9	85.5	1.6	64	14.17	75,76	A603
	1800	460	145T	E652	145TTTN6526	☆	1000:1	\$531	E9	84.0	2.2	65	11.43	75,76,N,NE	A655
	1800	230/460	145T	E464	145TTTN6834	☆	1000:1	\$531	E9	84.0	4.4/2.2	65	11.43	75,76,N,NE	A655
	1800	575	145T	E667	145TTTN6529		1000:1	\$531	E9	84.0	1.8	65	11.43	75,76,N,NE	A655
	1200	460	182T	E632	182TTTS6576	☆	1000:1	\$788	E9	87.5	2.2	100	12.71	75,76,N,NE	A644
	1200	460	182T	E380	182TTFS6576		20:1	\$867	E9	87.5	2.2	110	15.19	75	A644
	1200	230/460	182T	E465	182TTTS6578		1000:1	\$788	E9	87.5	4.4/2.2	100	12.71	75,N,NE	A644

Blue shaded areas are Cast Iron Frames

☆ Requires nameplate modification
@ Requires larger fan

Blue Chip® Severe Duty / Automotive Duty NEMA Premium® XRI®, Hazardous Duty

Totally Enclosed, Rigid Base, Three Phase

HP	RPM	VOLTS	FRAME	CAT NO.	MODEL NO.	STOCK	CT SPEED RANGE	LIST PRICE	MULT. SYMB.	NOM EFF.	F.L. AMPS	APPROX. WT. LBS.	"C" DIM.	FOOT NOTES	C-FACE KITS	
2	3600	460	145T	E653	145TTTN6501	★	1000:1	\$642	E9	85.5	2.5	68	11.43	75,76,N,NE	A655	
	3600	460	145T	E382	145TTFN6501		20:1	\$707	E9	85.5	2.0	80	14.17	75,76	A655	
	3600	230/460	145T	E466	145TTTN6521		1000:1	\$642	E9	85.5	5.0/2.5	68	11.43	75,76,N,NE	A655	
	3600	230/460	145T	E383	145TTFN6521		20:1	\$707	E9	85.5	4.0/2.0	80	14.17	75,76	A655	
	3600	575	145T	E852	145TTTN6505		1000:1	\$642	E9	85.5	2.0	68	11.43	75,76,N,NE	A655	
	1800	460	145T	E654	145TTTN6527	★	1000:1	\$584	E9	85.5	3.0	68	11.43	75,76,N,NE	A655	
	1800	230/460	145T	E467	145TTTN6835	★	1000:1	\$584	E9	85.5	6.0/3.0	68	11.43	75,76,N,NE	A655	
	1800	230/460	145T	E386	145TTFN6835		20:1	\$642	E9	86.5	5.6/2.8	68	14.17	75,76	A655	
	1800	575	145T	E668	145TTTN6530		1000:1	\$584	E9	85.5	2.4	68	11.43	75,76,N,NE	A655	
	1200	460	184T	E633	184TTTS6576	★	1000:1	\$974	E9	88.5	3.0	112	13.71	75,N,NE	A644	
	1200	460	184T	E388	184TTFS6576		20:1	\$1,071	E9	88.5	2.9	110	16.19	75	A644	
	1200	230/460	184T	E468	184TTTS6582	★	1000:1	\$974	E9	88.5	6.0/3.0	112	13.71	75,N,NE	A644	
	3	3600	460	182T	E601	182TTTS6501	★	1000:1	\$882	E9	87.5	3.8	98	12.71	75,N,NE	A644
3600		230/460	182T	E390	128TTFS6501		20:1	\$971	E9	87.5	3.8	105	15.19	75	A644	
3600		575	182T	E853	182TTTS6505		1000:1	\$882	E9	87.5	3.0	105	12.71	75,N,NE	A644	
3600		575	182T	E392	182TTFS6505		20:1	\$971	E9	87.5	3.0	105	21.57	75	A644	
1800		460	182T	E616	182TTTS6526	★	1000:1	\$791	E9	90.2	4.0	102	12.71	75,N,NE	A644	
1800		230/460	182T	E470	182TTTS6538	★	1000:1	\$791	E9	90.2	8.0/4.0	102	12.71	75,N,NE	A644	
1800		575	182T	E669	182TTTS6530	★	1000:1	\$791	E9	90.2	3.2	102	12.71	75,N,NE	A644	
1200		460	213T	E634	213TTFS6576	★	20:1	\$1,199	E9	89.5	4.4	176	18.22	75	A206	
1200		230/460	213T	E471	213TTFS6594	★	20:1	\$1,199	E9	89.5	8.8/4.4	176	18.22	75	A206	
5		3600	460	184T	E602	184TTFS6501	★	2:1	\$980	E9	89.5	5.9	142	16.19	75	A644
		3600	230/460	184T	E472	184TTFS6810	★	2:1	\$980	E9	89.5	11.8/5.9	142	16.19	75	A644
	3600	575	184T	E655	184TTFS6505	★	20:1	\$980	E9	89.5	4.7	142	16.19	75	A644	
	1800	460	184T	E617	184TTFS6526	★	20:1	\$917	E9	90.2	6.2	130	16.19	75	A644	
	1800	230/460	184T	E473	184TTFS6844	★	20:1	\$917	E9	90.2	12.4/6.2	130	16.19	75	A644	
	1800	575	184T	E670	184TTFS6530	★	20:1	\$917	E9	90.2	5.0	130	16.19	75	A644	
	1200	460	215T	E635	215TTFS6576	★	20:1	\$1,473	E9	89.5	6.9	202	19.72	75	A206	
	1200	230/460	215T	E474	215TTFS6881	★	20:1	\$1,473	E9	89.5	13.8/6.9	202	19.72	75	A206	
	1200	575	215T	E683	215TTFS6580	★	20:1	\$1,473	E9	89.5	5.5	202	19.72	75,d	A206	
	7 1/2	3600	460	213T	E603	213TTTS6501	★	1000:1	\$1,184	E9	91.7	8.9	200	17.19	75,N,NE	A206
3600		460	213T	E396	213TTFS6501		2:1	\$1,303	E9	89.5	8.9	175	19.72	75	A206	
3600		230/460	213T	E475	213TTTS6502	★	1000:1	\$1,184	E9	91.7	17.8/8.9	200	17.19	75,N,NE	A206	
3600		575	213T	E656	213TTTS6505	★	1000:1	\$1,184	E9	91.7	7.1	200	17.19	75,N,NE	A206	
1800		460	213T	E618	213TTFS6526	★	20:1	\$1,124	E9	91.7	9.6	200	19.72	75	A206	
1800		230/460	213T	E476	213TTFS6531	★	20:1	\$1,124	E9	91.7	19.2/9.6	200	19.72	75	A206	
1800		575	213T	E671	213TTFS6530	★	20:1	\$1,124	E9	91.7	7.7	200	19.72	75	A206	
1200		460	254T	E636	254TTFNA6576	★	20:1	\$1,909	E9	91.0	9.9	326	23.52	75	A284	
1200		230/460	254T	E477	254TTFNA6590	★	20:1	\$1,909	E9	91.0	19.8/9.9	326	23.52	75	A284	
1200		575	254T	E684	254TTFNA6578		20:1	\$1,909	E9	91.0	7.9	326	23.52	75	A284	
10	3600	460	215T	E604	215TTFS6501	★	2:1	\$1,382	E9	91.7	11.8	218	19.72	75	A206	
	3600	230/460	215T	E478	215TTFS6807	★	2:1	\$1,382	E9	91.7	23.6/11.8	218	19.72	75	A206	
	3600	575	215T	E657	215TTFS6505		2:1	\$1,382	E9	91.7	9.5	218	19.72	75	A206	
	1800	460	215T	E619	215TTFS6526	★	20:1	\$1,353	E9	91.7	12.5	225	19.72	75	A206	
	1800	230/460	215T	E479	215TTFS6527	★	20:1	\$1,353	E9	91.7	25.0/12.5	225	19.72	75	A206	
	1800	575	215T	E672	215TTFS6530	★	20:1	\$1,353	E9	91.7	10.0	225	19.72	75	A206	
	1200	460	256T	E637	256TTFNA6576	★	20:1	\$2,333	E9	91.0	13.1	405	25.27	75	A284	
	1200	230/460	256T	E480	256TTFNA6596	★	20:1	\$2,333	E9	91.0	26.2/13.1	405	25.27	75	A284	
	1200	575	256T	E685	256TTFNA6578		20:1	\$2,333	E9	91.0	10.5	405	25.27	75	A284	

Blue shaded areas are Cast Iron Frames

★ Requires nameplate modification
© Requires larger fan

Blue Chip® Severe Duty / Automotive Duty NEMA Premium® XRI®, Hazardous Duty

Totally Enclosed, Rigid Base, Three Phase

HP	RPM	VOLTS	FRAME	CAT NO.	MODEL NO.	STOCK	CT SPEED RANGE	LIST PRICE	MULT. SYMB.	NOM EFF.	F.L. AMPS	APPROX. WT. LBS.	"C" DIM.	FOOT NOTES	C-FACE KITS
15	3600	460	254T	E605	254TTFNA6501	★	2:1	\$1,852	E9	91.7	17.5	345	23.52	75	A284
	3600	230/460	254T	E481	254TTFNA6515	★	2:1	\$1,852	E9	91.7	35.0/17.5	345	23.52	75	A284
	3600	575	254T	E658	254TTFNA6503		2:1	\$1,852	E9	91.7	14.2	345	23.52	75	A284
	1800	460	254T	E620	254TTFNA6526	★	20:1	\$1,738	E9	92.4	18.8	350	23.52	75	A284
	1800	230/460	254T	E482	254TTFNA6529	★	20:1	\$1,738	E9	92.4	37.6/18.8	350	23.52	75	A284
	1800	575	254T	E673	254TTFNA6528	★	20:1	\$1,738	E9	92.4	15.0	350	23.52	75	A284
	1200	460	284T	E638	284TTFNA6576	★	20:1	\$3,096	E9	91.7	20.4	479	26.34		A618
	1200	230/460	284T	E483	284TTFNA6876	★	20:1	\$3,096	E9	91.7	40.8/20.4	479	26.34		A618
	1200	575	284T	E694	284TTFNA6580		20:1	\$3,096	E9	91.7	16.3	479	26.34		A618
20	3600	460	256T	E606	256TTFNA6501	★	2:1	\$2,294	E9	92.4	23.4	375	25.27	75	A284
	3600	230/460	256T	E484	256TTFNA6523		2:1	\$2,294	E9	92.4	47.0/23.4	375	25.27	75	A284
	3600	575	256T	E659	256TTFNA6503	★	2:1	\$2,294	E9	92.4	18.7	375	25.27	75	A284
	1800	460	256T	E621	256TTFNA6526	★	20:1	\$2,166	E9	93.0	24.1	425	25.27	75	A284
	1800	230/460	256T	E485	256TTFNA6529	★	20:1	\$2,166	E9	93.0	48.2/24.1	425	25.27	75	A284
	1800	575	256T	E674	256TTFNA6528	★	20:1	\$2,166	E9	93.0	19.3	425	25.27	75	A284
	1200	460	286T	E639	286TTFNA6576	★	20:1	\$3,771	E9	91.7	26.8	550	27.84		A618
	1200	230/460	286T	E486	286TTFNA6876		20:1	\$3,771	E9	91.7	53.5/26.8	550	27.84		A618
	1200	575	286T	E695	286TTFNA6580		20:1	\$3,771	E9	91.7	21.4	550	27.84		A618
25	3600	460	284TS	E607	284TSTFNA6501	★	2:1	\$2,826	E9	93.6	28.1	481	24.97		A618
	3600	575	284TS	E660	284TSTFNA6502		2:1	\$2,826	E9	93.6	22.5	481	24.97		A618
	1800	460	284T	E622	284TTFNA6526	★	20:1	\$2,579	E9	93.6	31.0	478	26.34		A618
	1800	230/460	284T	E488	284TTFNA6837	★	20:1	\$2,579	E9	93.6	62.0/31.0	478	26.34		A618
	1800	575	284T	E675	284TTFNA6527	★	20:1	\$2,579	E9	93.6	24.8	478	26.34		A618
	1200	460	324T	E640	324TTFS6576	★	20:1	\$4,571	E9	93.0	32.5	675	28.87		A214
	1200	575	324T	E696	324TTFS6577		20:1	\$4,571	E9	93.0	26.0	675	28.87		A214
30	3600	460	286TS	E608	286TSTFNA6501	★	2:1	\$3,300	E9	93.6	34.1	500	26.47		A618
	3600	230/460	286TS	E490	286TSTFNA6804	★	2:1	\$3,300	E9	93.6	67.5/34.0	500	26.47		A618
	1800	460	286T	E623	286TTFNA6526	★	20:1	\$2,999	E9	94.1	36.5	525	27.84		A618
	1800	230/460	286T	E491	286TTFNA6570	★	20:1	\$2,999	E9	94.1	73.0/36.5	525	27.84		A618
	1800	575	286T	E676	286TTFNA6527	★	20:1	\$2,999	E9	94.1	29.2	525	27.84		A618
	1200	460	326T	E641	326TTFS6576	★	20:1	\$5,266	E9	93.0	38.5	725	30.37		A214
	1200	575	326T	E400	326TTFS6580		20:1	\$5,266	E9	93.0	31.0	725	30.37		A214
40	3600	460	324TS	E609	324TSTFS6501	★	2:1	\$4,353	E9	93.6	47.0	656	27.37		A214
	3600	575	324TS	E662	324TSTFS6505		2:1	\$4,353	E9	93.6	37.5	656	27.37		A214
	1800	460	324T	E624	324TTFS6526	★	20:1@	\$3,983	E9	94.1	47.5	700	30.37		A214
	1800	575	324T	E677	324TTFS6527	★	20:1@	\$3,983	E9	94.1	38.0	700	30.37		A214
	1200	460	364T	E642A	364TTFS16584	★	20:1@	\$7,670	E9	94.1	50.0	950	31.50		A395
	1200	575	364T	E401A	364TTFS16585		20:1@	\$7,670	E9	94.1	40.0	950	31.50		A395
50	3600	460	326TS	E610	326TSTFS6501	★	2:1	\$5,631	E9	93.6	58.0	725	28.87		A214
	3600	575	326TS	E663	326TSTFS6502		2:1	\$5,631	E9	93.6	46.5	725	28.87		A214
	1800	460	326T	E625	326TTFS6526	★	20:1@	\$4,892	E9	94.5	60.0	775	31.87		A214
	1800	460	326TS	E453	326TSTFS6536		20:1@	\$4,892	E9	94.5	60.0	775	28.87		A214
	1800	575	326T	E678	326TTFS6527	★	20:1@	\$4,892	E9	94.5	48.0	775	30.37		A214
	1200	460	365T	E643A	365TTFS16591	★	20:1@	\$8,623	E9	94.1	61.5	955	32.50		A395
	1200	575	365T	E402A	365TTFS16592		20:1@	\$8,623	E9	94.1	49.0	955	32.50		A395

Blue shaded areas are Cast Iron Frames

★ Requires nameplate modification
@ Requires larger fan

SEVERE DUTY

Blue Chip® Severe Duty / Automotive Duty NEMA Premium® XRI®, Hazardous Duty

Totally Enclosed, Rigid Base, Three Phase

HP	RPM	VOLTS	FRAME	CAT NO.	MODEL NO.	STOCK	CT SPEED RANGE	LIST PRICE	MULT. SYMB.	NOM EFF.	F.L. AMPS	APPROX. WT. LBS.	"C" DIM.	FOOT NOTES	C-FACE KITS
60	3600	460	364TS	E611	364TSTFS6501	★	2:1	\$7,407	E9	94.5	67.0	954	29.38		A396
	3600	575	364TS	E664	364TSTFS6505		2:1	\$7,407	E9	94.5	53.5	954	29.38		A396
	1800	460	364T	E626	364TTFS6536	★	20:1@	\$7,018	E9	95.0	69.0	980	31.50		A395
	1800	460	364TS	E454	364TSTFS6526		20:1@	\$7,018	E9	95.0	69.0	980	29.38		A396
	1800	575	364T	E679	364TTFS6537	★	20:1@	\$7,018	E9	95.0	55.0	980	31.50		A395
	1200	460	404T	E644	404TTFS6586	★	20:1@	\$9,602	E9	94.5	72.0	1156	35.62		A223
	1200	575	404T	E403	404TTFS6592		20:1@	\$9,602	E9	94.5	57.5	1156	35.62		A223
75	3600	460	365TS	E612	365TSTFS6501	★	2:1	\$9,302	E9	94.5	84.0	1002	30.38		A396
	3600	575	365TS	E665	365TSTFS6502	★	2:1	\$9,302	E9	94.5	67.0	1002	30.38		A396
	1800	460	365T	E627	365TTFS6536	★	20:1@	\$8,896	E9	95.4	86.0	1100	32.50		A395
	1800	460	365TS	E455	365TSTFS6526	★	20:1@	\$8,896	E9	95.4	86.0	1100	30.38		A396
	1800	575	365T	E680	365TTFS6537		20:1@	\$8,896	E9	95.4	69.0	1100	32.50		A395
	1200	460	405T	E645	405TTFS6586	★	20:1@	\$11,304	E9	94.5	90.0	1280	37.12		A223
	1200	575	405T	E404	405TTFS6587		20:1@	\$11,304	E9	94.5	71.5	1280	37.12		A223
100	3600	460	405TS	E613	405TSTFS6501	★	2:1	\$12,465	E9	95.0	108	1295	34.12		A226
	3600	575	405TS	E493	405TSTFS6502		2:1	\$12,465	E9	95.0	87.0	1295	34.12		A226
	1800	460	405T	E628	405TTFS6536	★	20:1@	\$10,991	E9	95.4	113	1330	37.12		A223
	1800	460	405TS	E456	405TSTFS6526	★	20:1@	\$10,991	E9	95.4	113	1330	34.12		A226
	1800	575	405T	E681	405TTFS6538	★	20:1@	\$10,991	E9	95.4	90.5	1330	37.12		A223
	1200	460	444T	E327	444TTFN16577		20:1@	\$15,448	E9	95.0	124	1970	41.25		A620
	1200	460	444T	E646A	444TTFN16581	★	20:1@	\$16,975	E9	95.0	119	1690	41.25		A229
	1200	575	444T	E405A	444TTFN16582		20:1@	\$16,975	E9	95.0	94.5	1690	41.25		A229
125	3600	460	444TS	E614	444TSTFS6501	★	2:1	\$16,295	E9	95.4	136	1725	37.50		A232
	3600	575	444TS	E494	444TSTFS6505		2:1	\$16,295	E9	95.4	109	1725	37.50		A232
	1800	460	444T	E629	444TTFS6536	★	20:1@	\$14,469	E9	95.4	141	1725	41.25		A229
	1800	460	444TS	E457	444TSTFS6526	★	20:1@	\$14,469	E9	95.4	141	1725	37.50		A232
	1800	575	444T	E697	444TTFS6540		20:1@	\$14,469	E9	95.4	113	1725	41.25		A229
	1200	460	445T	E647	445TTFN6586	★	20:1@	\$18,975	E9	95.0	155	2000	43.26		A620
	1200	575	445T	E406	445TTFN6590		20:1@	\$18,975	E9	95.0	124	2000	43.26		A620
150	3600	460	445TS	E615	445STFN6501	★	2:1	\$19,574	E9	95.8	165	2187	39.44		A621
	3600	575	445TS	E495	445STFN6502		2:1	\$19,574	E9	95.8	132	2187	39.44		A621
	1800	460	445T	E630	445TTFN6536	★	20:1@	\$16,822	E9	95.8	172	2070	43.26		A620
	1800	460	445TS	E458	445STFN6526	★	20:1@	\$16,822	E9	95.8	172	2070	39.44		A621
	1800	575	445T	E682	445TTFN6537		20:1@	\$16,822	E9	95.8	138	2070	43.26		A620
	1200	460	445T	E448	445TTFN6587	★	20:1@	\$21,229	E9	95.8	180	2500	43.26	H, RB	N/A
	1200	575	445T	E407	445TTFN6591		20:1@	\$21,229	E9	95.8	145	2500	43.26	RB	N/A
200	3600	460	445TS	E449	445STFN6505	★	2:1	\$24,762	E9	95.8	222	2300	39.44	H	A621
	3600	575	445TS	E496	445STFN6506		2:1	\$24,762	E9	95.8	178	2300	39.44		A621
	1800	460	445T	E631	445TTFN6538	★	20:1@	\$20,459	E9	96.2	226	2437	43.26	RB	N/A
	1800	460	445TS	E459	445STFN6528	★	20:1@	\$20,459	E9	96.2	226	2437	39.44	H	A621
	1800	460	447/9T	E770	449TTFS6530	★	20:1@	\$23,528	E9	96.5	225	2700	51.69	H	A623
	1800	460	447/9T	E854	449TTFS6540	★	20:1@	\$23,528	E9	96.5	225	2700	51.69	H, RB	N/A
	1800	575	447/9T	E856	449TTFS6564	★	20:1@	\$23,528	E9	96.5	180	2700	51.69	H, RB	N/A
	1200	460	447/9T	E773	449TTFS6578	★	20:1@	\$25,988	E9	95.8	240	2927	51.69	H	A623
	1200	460	447/9T	E687	449TTFS6588	★	20:1@	\$25,988	E9	95.8	240	2927	51.69	H, RB	N/A
	1200	575	447/9T	E408	449TTFS6582		20:1@	\$25,988	E9	95.8	192	2927	51.69	H, RB	N/A

SEVERE DUTY

Blue shaded areas are Cast Iron Frames

★ Requires nameplate modification
@ Requires larger fan

Blue Chip® Severe Duty / Automotive Duty NEMA Premium® XRI®, Hazardous Duty Totally Enclosed, Rigid Base, Three Phase

HP	RPM	VOLTS	FRAME	CAT NO.	MODEL NO.	STOCK	CT SPEED RANGE	LIST PRICE	MULT. SYMB.	NOM EFF.	F.L. AMPS	APPROX. WT. LBS.	"C" DIM.	FOOT NOTES	C-FACE KITS
250	3600	460	447/9TS	E699	449TSTFS6503		2:1	\$31,230	E9	95.8	275	2700	47.88	H	A624
	1800	460	445T	E450	445TTFN6540		20:1@	\$25,668	E9	95.8	285	2450	43.26	H,RB	N/A
	1800	460	447/9T	E771	449TTFS6528	☆	20:1@	\$29,517	E9	96.5	285	2830	51.69	H	A623
	1800	460	447/9T	E690	449TTFS6538	☆	20:1@	\$29,517	E9	96.5	285	2830	51.69	H,RB	N/A
	1200	460	L447/9T	E774	449TTFS6577		20:1@	\$29,874	E9	95.8	300	3415	51.69	H	A623
	1200	460	L447/9T	E688	449TTFS6587		20:1@	\$29,874	E9	95.8	300	3415	51.69	H,RB	N/A
300	3600	460	447/9TS	E698	449TSTFS6502		2:1	\$40,479	E9	96.2	330	2700	47.88	H	A626
	1800	460	447/9T	E691	449TTFS6537	☆	20:1@	\$29,331	E9	96.5	339	3211	51.69	H,RB	N/A
	1800	460	447/9T	E772	449TTFS6527		20:1@	\$29,331	E9	96.5	339	3211	51.69	H	A623
	1800	575	447/9T	E345	449TTFS16534		20:1@	\$29,331	E9	96.5	271	3211	51.69	H,RB	N/A
350	3600	460	447/9TS	E769	449TSTFS6501		2:1	\$46,420	E9	95.8	380	3064	47.88	H	A624
	1800	460	447/9T	E692	449TTFS6536	☆	20:1@	\$38,274	E9	96.2	395	3350	51.69	H,RB	N/A
400	3600	460	5011S	E369	-----		N/A	\$55,099	S6	95.8	432	5500	67.19	90	N/A
	1800	460	L447/9T	E776	449TTFS16553		20:1@	\$39,295	E9	96.2	448	3800	56.71	H,79	N/A
	1200	460	5011LS	E362	-----		N/A	\$68,918	S6	95.8	468	5500	67.19	77,79,90	N/A
450	1800	460	L447/9T	E777	-----		N/A	\$40,177	E9	96.5	515	3800	56.71	H,79	N/A
	1200	460	5013LS	E363	-----		N/A	\$91,917	S6	96.2	525	7200	67.19	A,77,79,90	N/A
500	1800	460	5011LS	E364	5011LSTFS16031		N/A	\$63,352	S6	96.2	555	5500	67.19	77,79,90	N/A
	1200	460	5013LS	E365	-----		N/A	\$93,219	S6	96.2	580	7200	76.19	78,79,90	N/A
600	1800	460	5011LS	E366	5011LSTFS16033		N/A	\$75,063	S6	96.2	655	5500	67.19	A,77,79,90	N/A

Blue shaded areas are Cast Iron Frames

☆ Requires nameplate modification
@ Requires larger fan

SEVERE DUTY

Blue Chip® Severe Duty / Automotive Duty NEMA Premium® XRI® IEEE-841

Totally Enclosed, Rigid Base, Three Phase



Applications: For extreme applications in the process industries such as chemical plants, pulp and paper mills, refineries, above-ground mines, food processing, foundries, and other severe duty environments where long life and ultra-high efficiency are required. Guaranteed efficiencies offer an eXtra Return on your Investment when using these premium efficiency motors on high cycle or long run time applications.

Features:

- **Meets or exceeds NEMA Premium® efficiencies, except where noted**
- Meets IEEE-841 standard for severe duty applications
- Blue Chip® quality, 100% cast iron construction for rigidity and reduced vibration
- Impro/Seal® quality VBX® bearing isolators on drive end shaft extension TENV and on both ends of TEFC
- Provisions to add stub shaft for an excoder (182T-449T, TEFC only)
- Internal and external epoxy paint
- MAX GUARD® Class F insulation system
- 1.15 Service Factor on sinewave, 1.0 Service Factor on IGBT power
- Bearing caps (254T and larger)
- Precision balanced to .08"/sec.
- Extended grease tubes, regreasable in service
- Brass drain and breather
- Meets IEEE45 USCG Marine Duty, API RPI4F for offshore platforms, IP56
- Meets NEMA MG1 - 1.26.6 Waterproof specification
- Hazardous Duty™ Division 2 CSA certification nameplate, for hazardous locations, Class I, Groups A, B, C, and D
- Meets temperature code T2B
- Actual test and vibration data supplied with each motor
- Ball bearings (except as noted)
- UL Recognized (through 449T) and CSA Certified
- Three Year Warranty



Models through 40 HP are capable of modification as follows (contact factory to confirm):

- 1.25 Service Factor (sinewave only)
- 50Hz at same HP, 1.0 Service Factor (sinewave only)
- Certain combinations of existing and new nameplate markings are not possible (contact factory to confirm)
- Any nameplate changes are subject to modification charges (see MOD Central section)
- Contact Marathon Electric for optional nameplate markings on 50 HP and larger

HP	RPM	VOLTS	FRAME	CAT NO.	MODEL NO.	STOCK	CT SPEED RANGE	LIST PRICE	MULT. SYMB.	NOM EFF.	FL. AMPS	APPROX. WT. LBS.	"C" DIM.	FOOT NOTES	C-FACE KITS
1	1800	460	143T	W501	143THTN9026	☆	1000:1	\$661	E9	85.5	1.5	55	10.43	75,76,N,NE	A181
	1800	575	143T	W502	143THTN19033		1000:1	\$661	E9	85.5	1.2	55	10.43	75,76,N,NE	A181
	1200	460	145T	W503	145THTN9076		1000:1	\$832	E9	80.0	1.7	60	11.43	75,76,N,NE	A262
	1200	575	145T	W638	145THTN19079		1000:1	\$832	E9	80.0	1.3	60	11.43	75,76,N,NE	A262
1 1/2	3600	460	143T	W505	143THTN9001		1000:1	\$827	E9	86.5	2.0	58	10.43	75,76,N,NE	A181
	3600	575	143T	W506	143THTN9005		1000:1	\$827	E9	86.5	1.6	58	10.43	75,76,N,NE	A181
	1800	460	145T	W507	145THTN9026	☆	1000:1	\$716	E9	84.0	2.2	65	11.43	75,76,N,NE	A262
	1800	575	145T	W508	145THTN19045	☆	1000:1	\$716	E9	84.0	1.8	65	11.43	75,76,d,N,NE	A262
	1200	460	182T	W509	182THTS9076	☆	1000:1	\$1,065	E9	87.5	2.2	100	12.71	75,d,N,NE	A182
2	3600	460	145T	W511	145THTN9001		1000:1	\$867	E9	85.5	2.5	68	11.43	75,76,N,NE	A262
	3600	575	145T	W512	145THTN19002		1000:1	\$867	E9	85.5	2.0	68	11.43	75,76,N,NE	A262
	1800	460	145T	W513	145THTN9027	☆	1000:1	\$787	E9	85.5	3.0	68	11.43	75,76,N,NE	A262
	1800	575	145T	W514	145THTN19033		1000:1	\$787	E9	85.5	2.4	68	11.43	75,76,N,NE	A262
	1200	460	184T	W515	184THTS9076		1000:1	\$1,315	E9	88.5	3.0	112	13.71	75,N,NE	A182
3	3600	460	182T	W517	182THTS9001		1000:1	\$1,191	E9	87.5	3.8	105	12.71	75,N,NE	A182
	1800	460	182T	W519	182THTS9026	☆	1000:1	\$1,068	E9	90.2	4.0	100	12.71	75,N,NE	A182
	1800	575	182T	W520	182THTS19033		1000:1	\$1,068	E9	90.2	3.2	100	12.71	75,N,NE	A182
	1200	460	213T	W521	213THFS9076	☆	20:1	\$1,620	E9	89.5	4.4	176	18.22	75	A183
	900	460	215T	W522	215THFS9101		20:1	\$2,426	E9	86.5	5.0	180	19.72	75,NE	A183

Blue shaded areas are Cast Iron Frames

☆ Requires nameplate modification

Continued on next page.

Blue Chip® Severe Duty / Automotive Duty

NEMA Premium® XRI® IEEE-841

Totally Enclosed, Rigid Base, Three Phase

HP	RPM	VOLTS	FRAME	CAT NO.	MODEL NO.	STOCK	CT SPEED RANGE	LIST PRICE	MULT. SYMB.	NOM EFF.	F.L. AMPS	APPROX. WT. LBS.	"C" DIM.	FOOT NOTES	C-FACE KITS
5	3600	460	184T	W523	184THFS9001	☆	2:1	\$1,323	E9	89.5	5.9	142	16.19	75	A182
	3600	575	184T	W524	184THFS19006		2:1	\$1,323	E9	89.5	4.7	142	16.19	75	A182
	1800	460	184T	W525	184THFS9026	☆	20:1	\$1,238	E9	90.2	6.2	130	16.19	75	A182
	1800	575	184T	W526	184THFS9030	☆	20:1	\$1,238	E9	90.2	5.0	130	16.19	75	A182
	1200	460	215T	W527	215THFS9076	☆	20:1	\$1,988	E9	89.5	6.9	202	19.72	75	A183
	1200	575	215T	W528	215THFS19077		20:1	\$1,988	E9	89.5	5.5	202	19.72	75	A183
	900	460	254T	W529	254THFNA9101		20:1	\$3,162	E9	88.5	7.5	375	23.52	75,NE	A184
7 1/2	3600	460	213T	W530	213THTS9001	☆	2:1	\$1,598	E9	91.7	8.9	200	17.18	75,N,NE	A183
	3600	575	213T	W531	213THTS19005		2:1	\$1,598	E9	91.7	7.1	200	17.18	75,N,NE	A183
	1800	460	213T	W532	213THFS9026	☆	20:1	\$1,517	E9	91.7	9.6	200	19.73	75	A183
	1800	575	213T	W533	213THFS9030	☆	20:1	\$1,517	E9	91.7	7.7	200	19.72	75	A183
	1200	460	254T	W534	254THFNA9076	☆	20:1	\$2,387	E9	91.0	9.9	326	23.52	75	A184
	900	460	256T	W536	256THFNA9101		20:1	\$3,921	E9	88.5	11.0	425	25.27	75,NE	A184
	10	3600	460	215T	W537	215THFS9001	☆	2:1	\$1,866	E9	91.7	11.9	218	19.72	75
3600		575	215T	W538	215THFS19006		2:1	\$1,866	E9	91.7	9.5	218	19.72	75	A183
1800		460	215T	W539	215THFS9026	☆	20:1	\$1,827	E9	91.7	12.5	225	19.72	75	A183
1800		575	215T	W540	215THFS19033	☆	20:1	\$1,827	E9	91.7	10.0	225	19.73	75	A183
1200		460	256T	W541	256THFNA9076		20:1	\$2,915	E9	91.0	13.1	405	25.27	75	A184
1200		575	256T	W542	256THFNA19081		20:1	\$2,915	E9	91.0	10.5	405	25.27	75	A184
900		460	284T	W543	284THFNA19102		20:1	\$4,767	E9	90.2	16.0	550	27.88	NE	A186
15	3600	460	254T	W544	254THFNA9001	☆	20:1	\$2,314	E9	91.7	17.5	345	23.52		A184
	1800	460	254T	W546	254THFNA9026	☆	20:1	\$2,173	E9	92.4	18.8	350	23.52		A184
	1800	575	254T	W547	254THFNA9030		20:1	\$2,173	E9	92.4	15.1	350	23.52		A184
	1200	460	284T	W548	284THFNA9076	☆	20:1	\$3,870	E9	91.7	20.4	479	27.88		A186
	1200	575	284T	W549	284THFNA16585		20:1	\$3,870	E9	91.7	16.3	479	26.34		A186
	900	460	286T	W550	286THFNA19101		20:1	\$5,980	E9	90.2	22.0	575	27.84	NE	A186
	20	3600	460	256T	W551	256THFNA9001	☆	2:1	\$2,868	E9	92.4	23.4	375	25.27	75
1800		460	256T	W553	256THFNA9026	☆	20:1	\$2,708	E9	93.0	24.1	425	25.27	75	A184
1200		460	286T	W555	286THFNA9076		20:1	\$4,714	E9	91.7	26.8	550	27.84		A186
1200		575	286T	W556	286THFNA19077		20:1	\$4,714	E9	91.7	21.4	550	27.84		A186
25	3600	460	284TS	W558	284TSHFNA9001	☆	2:1	\$3,533	E9	93.6	28.1	481	24.97		A186
	3600	575	284TS	W559	284TSHFNA9005		2:1	\$3,533	E9	93.6	22.4	481	24.97		A186
	1800	460	284T	W560	284THFNA9026	☆	20:1	\$3,223	E9	93.6	31.0	478	26.44		A186
	1800	575	284T	W561	284THFNA19033		20:1	\$3,223	E9	93.6	24.8	478	26.34		A186
	1200	460	324T	W562	324THFS9076		20:1	\$5,715	E9	93.0	32.5	675	28.87		A187
	1200	575	324T	W563	324THFS9080		20:1	\$5,715	E9	93.0	26.0	675	28.87		A187
30	3600	460	286TS	W565	286TSHFNA9001	☆	2:1	\$4,126	E9	93.6	33.8	500	26.44		A186
	1800	460	286T	W567	286THFNA9026	☆	20:1	\$3,749	E9	94.1	36.5	525	27.84		A186
	1800	575	286T	W568	286THFNA19033		20:1	\$3,749	E9	94.1	29.2	525	27.84		A186
	1200	460	326T	W569	326THFS9076	☆	20:1@	\$6,582	E9	93.0	38.5	725	30.37		A187
	1200	575	326T	W643	326THFS19078	☆	20:1@	\$6,582	E9	93.0	31.0	725	30.37	d	A187
40	3600	460	324TS	W571	324TSHFS9001	☆	2:1	\$5,441	E9	93.6	47.0	656	27.37		A187
	1800	460	324T	W573	324THFS9026	☆	20:1@	\$4,978	E9	94.1	47.5	700	28.87		A187
	1800	575	324T	W574	324THFS19033		20:1@	\$4,978	E9	94.1	38.0	700	30.37		A187
	1200	460	364T	W575A	364THFS19087		20:1@	\$8,207	E9	94.1	50.0	950	31.50		A188
	1200	575	364T	W639	364THFS19077		20:1@	\$8,207	E9	94.1	40.0	950	31.50		A188
	900	460	365T	W576	365THFS19101		20:1@	\$11,701	E9	91.7	53.0	975	32.50	NE	A188

Blue shaded areas are Cast Iron Frames

☆ Requires nameplate modification
@ Requires larger fan

Blue Chip® Severe Duty / Automotive Duty NEMA Premium® XRI® IEEE-841

Totally Enclosed, Rigid Base, Three Phase

HP	RPM	VOLTS	FRAME	CAT NO.	MODEL NO.	STOCK	CT SPEED RANGE	LIST PRICE	MULT. SYMB.	NOM EFF.	F.L. AMPS	APPROX. WT. LBS.	"C" DIM.	FOOT NOTES	C-FACE KITS
50	3600	460	326TS	W577	326TSHFS9001		2:1	\$7,038	E9	93.6	58.0	725	28.87		A187
	3600	575	326TS	W578	326TSHFS9005		2:1	\$7,038	E9	93.6	46.5	725	28.87		A187
	1800	460	326T	W580	326THFS9026	★	20:1@	\$6,115	E9	94.5	60.0	775	30.37		A187
	1800	460	326TS	W579	326TSHFS9036		20:1@	\$6,115	E9	94.5	60.0	775	28.87		A187
	1800	575	326T	W581	326THFS19033		20:1@	\$6,115	E9	94.5	48.0	775	30.37		A187
	1200	460	365T	W582A	365THFS19086	★	20:1@	\$10,066	E9	94.1	61.5	975	32.50		A188
	1200	575	365T	W640	365THFS19077		20:1@	\$10,066	E9	94.5	49.0	975	32.50		A188
	900	460	404T	W583	404THFS9101		20:1@	\$13,166	E9	93.6	66.0	1264	35.62	NE	A190
60	3600	460	364TS	W584	364TSHFS9001	★	2:1	\$8,519	E9	94.5	67.0	925	29.38		A189
	1800	460	364T	W587	364THFS9036	★	20:1@	\$8,070	E9	95.0	69.0	1000	31.50		A188
	1800	460	364TS	W286	364TSHFS9026		20:1@	\$8,070	E9	95.0	69.0	1000	29.38		A189
	1800	575	364T	W588	364THFS19033		20:1@	\$8,070	E9	95.0	55.0	1000	31.50		A188
	1200	460	404T	W589	404THFS9086		20:1@	\$11,043	E9	94.5	72.0	1156	35.62		A190
	900	460	405T	W590	405THFS19101		20:1@	\$14,773	E9	93.6	80.0	1350	37.12	NE	A190
	75	3600	460	365TS	W591	365TSHFS9001	★	2:1	\$10,697	E9	94.5	84.0	1002	30.38	
3600		575	365TS	W592	365TSHFS19002		2:1	\$10,697	E9	94.5	67.0	1002	30.38		A189
1800		460	365T	W594	365THFS9036	★	20:1@	\$10,231	E9	95.4	86.0	1100	32.50		A188
1800		460	365TS	W593A	365TSHFS19034		20:1@	\$10,231	E9	95.4	86.0	1100	30.38		A189
1800		575	365T	W595	365THFS9044	★	20:1@	\$10,231	E9	95.4	69.0	1100	32.50		A188
1200		460	405T	W596	405THFS9086		20:1@	\$12,998	E9	95.0	90.0	1280	37.12		A190
900		460	444T	W597	444THFS9101		20:1@	\$19,643	E9	93.6	100	1734	41.25	NE	A192
100		3600	460	405TS	W598	405TSHFS9001	★	2:1	\$14,334	E9	95.0	108	1295	34.12	
	1800	460	405T	W600	405THFS9036	★	20:1	\$12,640	E9	95.4	113	1330	37.12		A190
	1800	460	405TS	W599	405TSHFS9026		20:1@	\$12,640	E9	95.4	113	1330	34.12		A191
	1800	575	405T	W601	405THFS9040	★	20:1@	\$12,640	E9	95.4	90.0	1330	37.12		A190
	1200	460	444T	W636	444THFN19081		20:1@	\$19,168	E9	95.0	124	2100	41.25		A192
	900	460	445T	W603	445THFN9106		20:1@	\$24,072	E9	94.1	142	2350	43.19	NE	A192
	125	3600	460	444TS	W604	444TSHFS9001		2:1	\$18,740	E9	95.4	136	1725	37.50	
1800		460	444T	W606	444THFS9036		20:1@	\$16,640	E9	95.4	141	1725	41.25		A192
1800		575	444T	W607	444THFS9040		20:1@	\$16,640	E9	95.4	113	1725	41.25		A192
1200		460	445T	W608	445THFN9086		20:1@	\$21,820	E9	95.0	155	2000	43.19		A192
900		460	445T	W609	445THFN9102		20:1@	\$24,724	E9	94.5	172	2515	43.19	NE	A194
150	3600	460	445TS	W610	445TSHFN9001		2:1	\$22,511	E9	95.8	165	2187	39.37		A195
	1800	575	445TS	W611	445TSHFN9026	★	20:1@	\$19,345	E9	95.8	172	2070	39.37		A194
	1800	460	445T	W612	445THFN9036	★	20:1@	\$19,345	E9	95.8	172	2070	43.19		A194
	1800	575	445T	W641	445THFN19033		20:1@	\$19,345	E9	95.8	138	2070	43.19		A194
	1800	575	445T	W613	445THFN9037		20:1@	\$19,345	E9	95.8	138	2070	43.19		A194
	1200	460	445T	W614	445THFN9087		20:1@	\$24,415	E9	95.8	181	2500	43.19	H,RB	A194
	900	460	L447/9T	W615	449THFS9101		20:1@	\$31,445	E9	95.4	205	3150	51.88	NE	N/A
	200	3600	460	445TS	W616	445TSHFN9005		2:1	\$28,477	E9	95.8	223	2300	39.37	H,SL
1800		460	445T	W618	445THFN9038		20:1@	\$23,528	E9	96.2	226	2437	43.19	RB	A194
1800		460	445TS	W617	445TSHFN9028		20:1@	\$23,528	E9	96.2	226	2700	39.37		A195
1800		460	447/9T	W619	449THFS9030		20:1@	\$27,056	E9	96.5	225	2700	51.69		N/A
1800		575	445T	W642	445THFN19034	★	20:1@	\$27,056	E9	96.2	181	2437	43.19		A194
1200		460	447/9T	W621	449THFS19092		20:1@	\$29,886	E9	95.8	225	2927	51.84		N/A
1200		460	447/9T	W622	449THFS9088		20:1@	\$29,886	E9	95.8	240	2927	51.69	RB	N/A
1200		575	447/449T	W630	449THFS19079		20:1@	\$29,886	E9	95.8	192	2927	51.69	RB	N/A

Blue shaded areas are Cast Iron Frames

☆ Requires nameplate modification
@ Requires "R164" rework (reduces efficiency)

Blue Chip® Severe Duty / Automotive Duty

NEMA Premium® XRI® IEEE-841

Totally Enclosed, Rigid Base, Three Phase

HP	RPM	VOLTS	FRAME	CAT NO.	MODEL NO.	STOCK	CT SPEED RANGE ★	LIST PRICE	MULT. SYMB.	NOM EFF.	F.L. AMPS	APPROX. WT. LBS.	"C" DIM.	FOOT NOTES	C-FACE KITS
250	3600	460	447/9TS	W624	449TSHFS9003		2:1	\$35,914	E9	96.5	274	2700	47.94		N/A
	1800	460	447/9T	W626	449THFS9028		20:1@	\$33,946	E9	96.5	285	2830	51.69		N/A
300	3600	460	447/9TS	W631	-----		2:1	\$46,552	E9	96.2	330	2700	47.94	SL	N/A
	1800	460	447/9T	W632	449THFS9027		20:1@	\$34,625	E9	96.5	339	3211	51.84		N/A
350	3600	460	447/9TS	W634	449TSHFS9001		2:1	\$53,384	E9	96.2	382	3064	47.94	SL	N/A
	1800	460	447/9T	W635	449THFS9036		2:1	\$44,015	E9	96.2	395	3350	51.84	RB,SL	N/A

Blue shaded areas are Cast Iron Frames

★ Requires nameplate modification
@ Requires "R164" rework (reduces efficiency)

SEVERE
DUTY

Globetrotter® NEMA Premium® Efficiency, Three Phase

Close Coupled Pump, DripProof

- Features:**
- Meets NEMA Premium® efficiency
 - 143TC-145TC models steel frame, 182TC-236TC models cast iron frame and brackets
 - Inverter Duty 10:1 Variable Torque and 10:1 Constant Torque, 1.0 SF
 - 1.15 Service Factor
 - Class F Insulation
 - Standard assembly F1, reversible to F2 assembly
 - UL Recognized, CSA Certified, CE Mark
 - Two year warranty

C-Face Footed (Rigid Base)

Multiplier Symbol S2

HP	RPM	VOLTS	FRAME	CAT NO.	MODEL NO.	STOCK	LIST PRICE	NOM. EFF.	F.L. AMPS	APPR WT.	"C" DIM
1	1800	208-230/460	143JM	GT0401	143TTDR6030	★	\$415	85.5	2.5-3.2/1.6	41	14.62
	1800	575	143JM	GT0501	145TTDR6031	★	\$415	85.5	1.2	41	14.62
1 1/2	3600	208-230/460	143JM	GT0403	143TTDR6007	★	\$474	84.0	4.4-4.0/2.0	40	13.12
	3600	575	143JM	GT0503	143TTDR6008	★	\$474	84.0	1.7	40	13.12
2	1800	208-230/460	145JM	GT0404	145TTDR6034	★	\$452	86.5	4.8-5.6/2.4	44	14.62
	1800	575	145JM	GT0504	145TTDR6031	★	\$452	86.5	1.8	44	14.62
2	3600	208-230/460	145JM	GT0406	145TTDR6007	★	\$532	85.5	5.2-4.8/2.4	43	13.12
	3600	575	145JM	GT0506	145TTDR6004	★	\$532	85.5	2.0	43	13.12
3	1800	208-230/460	145JM	GT0407	145TTDR6036	★	\$512	86.5	6.0-5.8/2.9	45	15.12
	1800	575	145JM	GT0507	145TTDR6030	★	\$512	86.5	2.5	45	15.12
3	3600	208-230/460	145JM	GT0409	145TTDR6013	★	\$595	86.5	8.0-7.2/3.6	47	13.62
	3600	575	145JM	GT0509	145TTDR6006	★	\$595	86.5	2.8	47	13.62
5	1800	208-230/460	182JM	GT0410	182TTDB6032	★	\$566	89.5	8.4-7.8/3.9	123	15.35
	1800	575	182JM	GT0510	182TTDB6033	★	\$566	89.5	3.1	123	15.35
5	3600	208-230/460	182JM	GT0412	182TTDB6007	★	\$715	86.5	13.2-11.8/5.9	131	15.35
	3600	575	182JM	GT0512	182TTDB6008	★	\$715	86.5	4.7	131	15.35
7 1/2	1800	208-230/460	184JM	GT0413	184TTDB6032	★	\$687	89.5	13.6-12.4/6.2	135	16.34
	1800	575	184JM	GT0513	184TTDB6033	★	\$687	89.5	5.0	135	16.34
7 1/2	3600	208-230/460	184JM	GT0415	184TTDB6007	★	\$858	88.5	19.0-17.2/8.6	149	16.34
	3600	575	184JM	GT0515	184TTDB6008	★	\$858	88.5	6.9	149	16.34
10	1800	208-230/460	213JM	GT0416	213TTDB6032	★	\$1,047	91.0	20.4-18.6/9.3	166	17.68
	1800	575	213JM	GT0516	213TTDB6033	★	\$1,047	91.0	7.5	166	17.68
10	3600	208-230/460	213JM	GT0418	213TTDB6007	★	\$1,106	89.5	25.5-23/11.5	156	17.68
	3600	575	213JM	GT0518	213TTDB6008	★	\$1,106	89.5	9.2	156	17.68
15	1800	208-230/460	215JM	GT0419	215TTDB6032	★	\$1,225	91.7	26.9-24.4/12.2	229	19.17
	1800	575	215JM	GT0519	215TTDB6033	★	\$1,225	91.7	9.8	229	19.17
15	3600	208-230/460	215JM	GT0421	215TTDB6007	★	\$1,366	90.2	38.0-34.0/17.0	191	19.17
	3600	575	215JM	GT0521	215TTDB6008	★	\$1,366	90.2	13.6	191	19.17
15	1800	208-230/460	254JM	GT0422	254TTDCA6032	★	\$1,646	93.0	208-230/460	322	24.41
	1800	575	254JM	GT0522	254TTDCA6033	★	\$1,646	93.0	15.2	322	24.41

Blue shaded areas are Cast Iron Frames

Globetrotter® NEMA Premium® Efficiency, Three Phase

Close Coupled Pump, Dripproof

C-Face Footed (Rigid Base)

Multiplier Symbol S2

HP	RPM	VOLTS	FRAME	CAT NO.	MODEL NO.	STOCK	LIST PRICE	NOM. EFF.	F.L. AMPS	APPR WT.	"C" DIM
20	3600	208-230/460	254JM	GT0424	254TTDCA6007	★	\$1,705	91.0	51.0-46.0/23.0	312	24.41
	3600	575	254JM	GT0524	254TTDCA6008	★	\$1,705	91.0	18.4	312	24.41
	1800	208-230/460	256JM	GT0425	256TTDCA6032	★	\$2,021	93.0	53.0-49.0/24.5	374	26.00
	1800	575	256JM	GT0525	256TTDCA6033	★	\$2,021	93.0	19.6	374	26.00
25	3600	208-230/460	256JM	GT0427	256TTDCA6007	★	\$2,062	91.7	64.0-57.0/28.5	328	26.00
	3600	575	256JM	GT0527	256TTDCA6008	★	\$2,062	91.7	22.8	328	26.00
	1800	208-230/460	284JM	GT0428	284TTDCA6032	★	\$2,412	93.6	66.0-62.0/31.0	441	26.58
	1800	575	284JM	GT0528	284TTDCA6033	★	\$2,412	93.6	24.8	441	26.58
30	3600	208-230/460	284JM	GT0430	284TTDCA6007	★	\$2,462	91.7	76.0-68.0/34.0	412	26.58
	3600	575	284JM	GT0530	284TTDCA6008	★	\$2,462	91.7	27.2	412	26.58
	1800	208-230/460	286JM	GT0431	286TTDCA6032	★	\$2,786	94.1	81.0-74.0/37.0	502	27.10
	1800	575	286JM	GT0531	286TTDCA6033	★	\$2,786	94.1	29.6	502	27.10
40	3600	208-230/460	286JM	GT0433	286TTDCA6007	★	\$3,082	92.4	100-90.0/45.0	470	27.10
	3600	575	286JM	GT0533	286TTDCA6008	★	\$3,082	92.4	36.0	470	27.10
	1800	208-230/460	324JM	GT0434	324TTDCA6032	★	\$3,640	94.1	105-95.0/47.5	604	28.95
	1800	575	324JM	GT0534	324TTDCA6033	★	\$3,640	94.1	40.4	604	28.95
50	3600	208-230/460	324JM	GT0436	324TTDCA6007	★	\$3,943	93.0	124-113/56.5	570	28.95
	3600	575	324JM	GT0536	324TTDCA6008	★	\$3,943	93.0	45.0	570	28.95
	1800	208-230/460	326JM	GT0437	326TTDCA6032	★	\$4,205	94.5	131-118/59.0	738	30.12
	1800	575	326JM	GT0537	326TTDCA6033	★	\$4,205	94.5	47.0	738	30.12

Blue shaded areas are Cast Iron Frames

GLOBETROTTER®

Globetrotter® NEMA Premium® Efficiency, Three Phase

Totally Enclosed, C-Face Footed (Rigid Base) and C-Face Footless

- Features:**
- Meets NEMA Premium® efficiency
 - 182TC-215TC models steel frame, 254TC-405TC models cast iron frame and brackets
 - Inverter Duty 10:1 Variable Torque and 10:1 Constant Torque, 1.0 SF
 - 1.15 Service Factor
 - Class F Insulation
 - Standard assembly F1, reversible to F2 assembly
 - UL Recognized, CSA Certified, CE Mark
 - Two year warranty

C-Face Footed (Rigid Base)

Multiplier Symbol E1

HP	RPM	VOLTS	FRAME	CAT NO.	MODEL NO.	STOCK	LIST PRICE	NOM. EFF.	F.L. AMPS	APPR WT.	"C" DIM
1 1/2	1200	208-230/460	182TC	GT1205	182TTFB6078	★	\$736	87.5	4.8/2.4	82	15.8
2	1200	208-230/460	184TC	GT1208	184TTFB6078	★	\$843	88.5	6.0/3.0	94	16.8
3	3600	208-230/460	182TC	GT1209	182TTFB6003	★	\$777	86.5	7.6/3.8	83	15.8
5	1800	208-230/460	182TC	GT1210	182TTFB6028	★	\$697	89.5	7.8/3.9	87	15.8
	1200	208-230/460	213TC	GT1211	213TTFBA6078	★	\$1,028	89.5	8.6/4.3	115	19.5
	3600	208-230/460	184TC	GT1212	184TTFB6003	★	\$901	88.5	13.4/6.7	95	16.8
	1800	208-230/460	184TC	GT1213	184TTFB6028	★	\$814	89.5	12.4/6.2	110	16.8
	1200	208-230/460	215TC	GT1214	215TTFBA6078	★	\$1,324	89.5	14.0/7.0	135	21.0
7 1/2	3600	208-230/460	213TC	GT1215	213TTFBA6003	★	\$1,107	89.5	17.8/8.9	116	19.5
	1800	208-230/460	213TC	GT1216	213TTFBA6028	★	\$1,005	91.7	18.6/9.3	143	19.5
	1200	208-230/460	254TC	GT1217	254TTFCA6078	★	\$2,042	91.0	20.4/10.2	300	26.6
10	3600	208-230/460	215TC	GT1218	215TTFBA6003	★	\$1,178	90.2	22.8/11.4	137	21.0
	1800	208-230/460	215TC	GT1219	215TTFBA6028	★	\$1,143	91.7	24.4/12.2	164	21.0
	1200	208-230/460	256TC	GT1220	256TTFCA6078	★	\$2,450	91.0	28.0/14.0	368	27.8
15	3600	208-230/460	254TC	GT1221	254TTFCA6003	★	\$1,987	91.0	34.0/17.0	350	26.6
	1800	208-230/460	254TC	GT1222	254TTFCA6028	★	\$1,877	92.4	37.0/18.5	350	26.6
	3600	208-230/460	256TC	GT1224	256TTFCA6003	★	\$2,413	91.0	46.0/23.0	375	27.8
20	1800	208-230/460	256TC	GT1225	256TTFCA6028	★	\$2,289	93.0	49.0/24.5	425	27.8
	3600	208-230/460	284TSC	GT1227	284STFCA6003	★	\$3,045	91.7	56.0/28.0	475	28.8
	1800	208-230/460	284TC	GT1228	284TTFCA6028	★	\$2,807	93.6	61.0/30.5	500	30.2
30	3600	208-230/460	286TSC	GT1230	286STFCA6003	★	\$3,502	91.7	68.0/34.0	500	31.4
	1800	208-230/460	286TC	GT1231	286TTFCA6028	★	\$3,211	93.6	73.0/36.5	525	40.0
	3600	208-230/460	324TSC	GT1233	324STFCA6003	★	\$4,657	92.4	88.0/44.0	675	31.2
40	1800	208-230/460	324TC	GT1234	324TTFCA6028	★	\$4,301	94.1	94.0/47.0	750	32.7
	3600	208-230/460	326TSC	GT1236	326STFCA6003	★	\$5,887	93.0	109/54.5	725	32.4
	1800	208-230/460	326TC	GT1237	326TTFCA6028	★	\$5,175	94.5	119/59.5	775	33.9
60	3600	208-230/460	364TSC	GT1239	364STFCA6003	★	\$7,807	93.6	132/66.0	925	34.5
	1800	208-230/460	364TC	GT1240	364TTFCA6038	★	\$7,431	95.0	138/69.0	1000	36.6
	3600	208-230/460	365TSC	GT1242	365STFCA6003	★	\$9,631	93.6	164/82.0	1025	36.3
75	1800	208-230/460	365TC	GT1243	365TTFCA6038	★	\$9,240	95.4	173/86.5	1100	38.4
	3600	208-230/460	405TSC	GT1245	405STFCA6003	★	\$13,007	94.1	224/112	1250	39.8
	1800	208-230/460	405TC	GT1246	405TTFCA6038	★	\$11,589	95.4	224/112	1375	42.8

Blue shaded areas are Cast Iron Frames

Globetrotter® NEMA Premium® Efficiency, Three Phase

Totally Enclosed, C-Face Footed (with Base) and C-Face Footless (no Base)

C-Face Footless

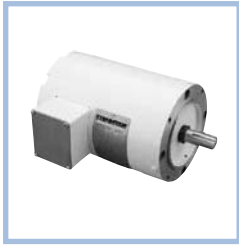
Multiplier Symbol E1

HP	RPM	VOLTS	FRAME	CAT NO.	MODEL NO.	STOCK	LIST PRICE	NOM. EFF.	F.L. AMPS	APPR WT.	"C" DIM
1 1/2	1200	208-230/460	182TC	GT1305	182TTFB6079	★	\$887	87.5	4.8/2.4	82	15.8
2	1200	208-230/460	184TC	GT1308	184TTFB6079	★	\$994	88.5	6.0/3.0	94	16.8
3	3600	208-230/460	182TC	GT1309	182TTFB6004	★	\$928	86.5	7.6/3.8	83	15.8
	1800	208-230/460	182TC	GT1310	182TTFB6029	★	\$848	89.5	7.8/3.9	87	15.8
	1200	208-230/460	213TC	GT1311	213TTFBA6079	★	\$1,179	89.5	8.6/4.3	115	19.5
5	3600	208-230/460	184TC	GT1312	184TTFB6004	★	\$1,052	88.5	13.4/6.7	95	16.8
	1800	208-230/460	184TC	GT1313	184TTFB6029	★	\$965	89.5	12.4/6.2	110	16.8
	1200	208-230/460	215TC	GT1314	215TTFBA6079	★	\$1,475	89.5	14.0/7.0	135	21.0
7 1/2	3600	208-230/460	213TC	GT1315	213TTFBA6004	★	\$1,258	89.5	17.8/8.9	116	19.5
	1800	208-230/460	213TC	GT1316	213TTFBA6029	★	\$1,156	91.7	18.6/9.3	143	19.5
10	3600	208-230/460	215TC	GT1318	215TTFBA6004	★	\$1,329	90.2	22.8/11.4	137	21.0
	1800	208-230/460	215TC	GT1319	215TTFBA6029	★	\$1,295	91.7	24.4/12.2	164	21.0

Blue shaded areas are Cast Iron Frames

PowerWash™ XT Washdown Duty, Three Phase

White Epoxy, Totally Enclosed



Features:

IP55



- 10:1 Variable torque, Constant torque speed range as listed below
- MAX GUARD® Class F insulation system
- 1.15 Service Factor on sinewave, 1.0 Service Factor on IGBT power
- Double sealed ball bearings
- 303 Stainless steel shaft with spring loaded contact seals in each endshield (Drive end only on TENV motors)
- Stainless steel conduit box cover, nameplate, fan guard (TEFC only) and hardware
- Cast oversized conduit box with high temperature nitrile gaskets and threaded entrance
- Plugged drain holes in each endshield for all angle mounting
- Internal corrosion resistant coatings on frame, base, endshields, rotor and stator
- USDA-approved, white epoxy RUST-OLEUM® paint
- UL Recognized, CSA Certified and CE Mark

Rigid Base

HP	RPM	VOLTS	FRAME	CAT. NO.	MODEL NO.	STOCK	CT SPEED RANGE*	LIST PRICE	MULT. SYMB.	NOM. EFF.	F.L. AMPS	APPROX WGTG LBS	"C" DIM.	FOOT NOTES
1/3	1800	208-230/460	56	E286	5KS49HN4595	★	10:1	\$450	F3	75.5	1.2-1.6/8	24	9.68	ES,N,20,50
1/2	1800	208-230/460	56	EG287	5KS49MN4608	★	10:1	\$462	F3	77.0	1.7-1.8/9	27	10.18	d,ES,N,19,50
	1800	208-230/460	56	N322	56T17W5344		10:1	\$462	F3	74.0	2.0-2.0/1.0	25	10.81	V
3/4	1800	208-230/460	56	N320	56T17W5340	★	10:1	\$492	F3	77.0	2.8-2.8/1.4	25	10.81	V
1	1800	208-230/460	56	N309	56T17V5346	★	1000:1	\$517	F3	80.0	3.2-3.2/1.6	35	11.18	N
	1800	208-230/460	143T	N310	143TTVR5329	★	1000:1	\$564	F3	82.5	3.2-3.2/1.6	35	11.62	N
	1200	208-230/460	145T	K2051	5KE49UN8405	★	10:1	\$760	F3	80.0	4.2-3.6/1.8	41	13.25	d,50
	1200	208-230/460	145T	N323	145TTWR6076	★	10:1	\$884	F3	82.5	3.6-4.2/2.1	45	13.25	V
1 1/2	1800	208-230/460	145T	N321	145TTWR4029	★	10:1	\$567	F3	84.0	4.2-4.2/2.1	39	13.12	d,V
	1800	208-230/460	145T	N321A	145TTWR6029	★	10:1	\$659	F3	86.5	5.2-4.4/2.2	51	12.75	
2	1800	208-230/460	145T	K2053	5KE48WN8366	★	10:1	\$704	F3	84.0	6.0-5.6/2.8	46	13.75	d,50
	1800	208-230/460	145T	N312	145TTWR4027	★	10:1	\$704	F3	84.0	6.5-6.2/3.1	46	13.25	d,V
	1800	208-230/460	145T	N312A	145TTWR6027	★	10:1	\$819	F3	86.5	6.0-5.6/2.8	46	13.75	V
3	1800	208-230/460	56HZ	N313	56T17W5328	★	10:1	\$707	F3	82.5	8.6-8.6/4.3	49	14.25	d,V,Z,5,17
	1800	208-230/460	182T	N1314	182TTWW4027	★	10:1	\$931	F3	87.5	8.2-8.2/4.1	64	13.97	d,V
	1800	208-230/460	182T	N314B	182TTWW6027	★	10:1	\$1,083	F3	89.5	8.2-8.2/4.1	69	13.96	V
5	3600	208-230/460	184T	N315A	184TTWW6004		10:1	\$1,363	F3	88.5	13.2-12.0/6.0	75	14.46	V
	1800	208-230/460	184T	N1316	184TTWW4027	★	10:1	\$1,064	F3	87.5	13.0-13.0/6.5	73	14.97	d,V
	1800	208-230/460	184T	N316B	184TTWW6027	★	10:1	\$1,238	F3	89.5	13.0-13.0/6.5	85	14.96	V
7 1/2	3600	208-230/460	184T	N317A	184TTWW6003		10:1	\$1,720	F3	89.5	17.6-16.8/8.4	87	15.96	V
	1800	208-230/460	213T	N318	213TTWR4027	★	10:1	\$1,329	F3	89.5	20.4-20.4/10.2	140	17.71	d,V
	1800	208-230/460	213T	N318A	213TTWR6027	★	10:1	\$1,545	F3	91.7	20.4-20.4/10.2	131	17.21	V
10	1800	208-230/460	215T	N319A	215TTWR6027	★	10:1	\$1,849	F3	91.7	26.0-26.0/13.0	165	18.71	V

* Requires nameplate modification

Catalog numbers (Cat No.) highlighted in bold blue have efficiency levels that meet EISA requirements

Continued on next page.

WASHDOWN DUTY

PowerWash™ XT Washdown Duty, Three Phase

White Epoxy, Totally Enclosed

C-Face Footless

HP	RPM	VOLTS	FRAME	CAT. NO.	MODEL NO.	STOCK	CT SPEED RANGE*	LIST PRICE	MULT. SYMB.	NOM. EFF.	F.L. AMPS	APPROX WGT LBS	"C" DIM.	FOOT NOTES
1/4	1800	208-230/460	56C	N640	56T17V5326	★	1000:1	\$436	F3	68.0	1.1-1.1/55	21	9.56	N
1/3	1800	208-230/460	56C	N641	56T17V5327	★	1000:1	\$463	F3	72.0	1.3-1.3/65	21	9.56	N
1/2	1800	208-230/460	56C	N642	56T17V5328	★	1000:1	\$478	F3	78.5	1.8-1.8/9	25	10.06	N
3/4	3600	208-230/460	56C	N643	56T34V5301	★	1000:1	\$482	F3	75.5	2.6-2.4/1.2	50	10.06	N
	1800	208-230/460	56C	N644	56T17V5329	★	1000:1	\$553	F3	80.0	2.5-2.5/1.25	30	10.56	N
1	3600	208-230/460	56C	N645	56T34V5302	★	1000:1	\$563	F3	78.5	2.8-2.6/1.3	34	11.56	N
	1800	208-230/460	56C	N646	56T17V5330	★	1000:1	\$576	F3	80.0	3.2-3.2/1.6	34	11.56	N
	1800	208-230/460	145TC	EG297	5KS49UN8379	★	10:1	\$576	F3	82.5	3.2-3.2/1.6	39	12.12	d,ES,N,50
	1800	208-230/460	143TC	N647	143TTVR5326	★	1000:1	\$576	F3	80.0	3.2-3.2/1.6	35	11.75	N
1 1/2	3600	208-230/460	56C	N648	56T34V5303	★	1000:1	\$597	F3	80.0	4.2-3.8/1.9	42	12.56	N
	1800	208-230/460	56C	K2068	5KE49TN4592	★	10:1	\$591	F3	84.0	4.4-5.3/2.65	40	13.19	50
	1800	208-230/460	56C	N649	56T17V5331	★	1000:1	\$601	F3	84.0	4.2-4.2/2.1	46	13.06	N
	1800	208-230/460	143TC	N650	143TTVR5327	★	1000:1	\$601	F3	84.0	4.2-4.2/2.1	47	13.25	N
	1800	208-230/460	145TC	K2055	5KE49TN8378	★	10:1	\$605	F3	84.0	4.4-5.3/2.65	39	13.25	50
2	3600	208-230/460	56C	N651	56T34V5304	★	1000:1	\$683	F3	82.5	5.6-5.0/2.5	48	13.06	N
	3600	208-230/460	145TC	N652	145TTVR5301		1000:1	\$683	F3	82.5	5.6-5.0/2.5	42	13.25	N
	1800	208-230/460	56C	N653	56T17V5326	★	10:1	\$700	F3	81.5	6.2-6.2/3.1	38	12.69	V
	1800	208-230/460	56C	K2066	5KE48WN4593	★	10:1	\$637	F3	84.0	6.0-5.6/2.8	44	13.69	50
	1800	208-230/460	145TC	K2056	5KE48WN8364	★	10:1	\$651	F3	84.0	6.0-5.6/2.8	45	13.75	50
	1800	208-230/460	145TC	N654	145TTWR5326	★	10:1	\$704	F3	81.5	6.2-6.2/3.1	38	12.75	d,V
	1800	208-230/460	145TC	N654A	145TTWR4326	★	10:1	\$753	F3	84.0	6.0-5.6/2.8	47	13.75	V
3	3600	208-230/460	145TC	N655	145TTWR5301	★	10:1	\$839	F3	80.0	8.4-7.6/3.8	36	13.25	d,V
	3600	208-230/460	145TC	N655A	145TTWR4301	★	10:1	\$897	F3	85.5	8.4-7.6/3.8	48	13.75	V
	1800	208-230/460	182TC	N1656	182TTWW7026	★	10:1	\$922	F3	82.5	9.0-9.0/4.5	65	14.47	d,V
	1800	208-230/460	182TC	N656B	182TTWW4028	★	10:1	\$987	F3	87.5	8.4-7.6/3.8	81	14.47	V
5	3600	208-230/460	184TC	N1657	184TTWW7001	★	10:1	\$1,170	F3	85.5	13.6-12.40/6.2	90	14.47	d,V
	3600	208-230/460	184TC	N657B	184TTWW4002	★	10:1	\$1,251	F3	87.5	13.2-12.0/6.0	75	14.47	V
	1800	208-230/460	184TC	N1658	184TTWW7026	★	10:1	\$1,039	F3	82.5	14.0-13.2/6.6	73	14.47	d,V
	1800	208-230/460	184TC	N658B	184TTWW4028	★	10:1	\$1,118	F3	87.5	13.0-13.0/6.5	95	14.97	V
7 1/2	3600	208-230/460	213TC	N659A	213TTWR4001	★	10:1	\$1,551	F3	88.5	17.6-16.8/8.4	102	17.47	V
	1800	208-230/460	213TC	N660	213TTWR7026	★	10:1	\$1,328	F3	89.5	24.0-22.0/11.0	125	17.71	d,V
10	1800	208-230/460	215TC	N661	215TTWR7026	★	10:1	\$1,507	F3	89.5	29.0-28.0/14.0	150	18.71	d,V

* Requires nameplate modification

Catalog numbers (Cat No.) highlighted in bold blue have efficiency levels that meet EISA requirements

Continued on next page.

WASHDOWN DUTY

PowerWash™ XT Washdown Duty, Three Phase

White Epoxy, Totally Enclosed

C-Face Footed (Rigid Base)

Same features as shown on page 102

HP	RPM	VOLTS	FRAME	CAT. NO.	MODEL NO.	STOCK	CT SPEED RANGE*	LIST PRICE	MULT. SYMB.	NOM. EFF.	F.L. AMPS	APPROX WGT LBS	"C" DIM.	FOOT NOTES
1/4	1800	208-230/460	56C	N564	56T17V5332	*	1000:1	\$438	F3	68.0	1.1-1.1/55	24	10.08	N
	1800	575	56C	N620	56T17W5333	*	10:1	\$438	F3	68.0	0.44	23	10.69	V
1/3	1800	208-230/460	56C	N628	56T17W5334	*	10:1	\$481	F3	68.0	1.7-1.7/85	23	10.69	
	1800	575	56C	N621	56T17W5335		10:1	\$481	F3	68.0	0.68	20	10.69	V
1/2	3600	208-230/460	56C	N566	56T34V5305	*	1000:1	\$437	F3	76.0	1.7-1.6/8	27	10.58	N
	1800	208-230/460	56C	N567	56T17V5336	*	1000:1	\$490	F3	78.5	1.8-1.8/9	26	10.06	N
	1800	575	56C	N622	56T17V5337	*	1000:1	\$490	F3	78.5	0.8	25	10.08	N
	1200	208-230/460	56C	N568	56T11V5376	*	1000:1	\$611	F3	77.0	2.3-2.3/1.15	23	11.56	N
3/4	3600	208-230/460	56C	N569	56T34V5306	*	1000:1	\$480	F3	75.5	2.6-2.4/1.2	50	10.08	N
	1800	208-230/460	56C	N599	56T17V5338	*	1000:1	\$567	F3	80.0	2.5-2.5/1.25	31	10.56	N
	1800	575	56C	EG307	5KS49PN4602	*	10:1	\$567	F3	81.0	1.0	31	10.58	d
	1800	575	56C	N623	56T17W5339	*	10:1	\$567	F3	77.0	1.1	31	11.19	V
	1200	208-230/460	56C	N600	56T11V5377	*	1000:1	\$665	F3	78.5	3.0-3.0/1.5	25	13.06	N,5
1	3600	208-230/460	56C	N601	56T34V5307	*	1000:1	\$561	F3	78.5	2.8-2.6/1.3	35	11.56	N
	1800	208-230/460	56C	N602	56T17V5340	*	1000:1	\$591	F3	80.0	3.2-3.2/1.6	35	11.58	N
	1800	575	56C	EG311	5KS49UN4598	*	10:1	\$591	F3	82.5	1.2	39	12.08	d
	1800	575	56C	N627	56T17W5341	*	10:1	\$591	F3	77.0	1.5	29	11.69	V
	1800	208-230/460	143TC	N626	143TTWR4028	*	10:1	\$594	F3	82.5	3.2-3.1/1.55	30	13.25	V
	1800	208-230/460	143TC	N626A	143TTWR6028	*	10:1	\$691	F3	85.5	3.2-3.1/1.55	35	12.75	V
	1200	208-230/460	56HC	N604	56T11W5377	*	10:1	\$713	F3	78.5	4.0-4.0/2.0	36	13.06	5,V
1 1/2	3600	208-230/460	56C	N605	56T34V5308	*	1000:1	\$620	F3	80.0	4.2-3.8/1.9	43	12.56	N
	1800	208-230/460	56C	K2067	5KE49TN4597	*	10:1	\$617	F3	84.0	5.3-4.4/2.2	40	13.19	d
	1800	208-230/460	56C	N606	56T17V5342	*	1000:1	\$617	F3	84.0	4.2-4.2/2.1	47	13.06	N
	1800	208-230/460	145TC	K2058	5KE49TN8390	*	10:1	\$617	F3	84.0	5.3-4.4/2.2	40	13.25	d
	1800	208-230/460	145TC	N607	145TTVR5326	*	1000:1	\$617	F3	84.0	4.2-4.2/2.1	48	13.12	N
	1800	575	145TC	K2059	5KE49TN8398	*	10:1	\$617	F3	84.0	1.8	42	13.25	d
	1800	575	145TC	N629	145TTVR5030	*	1000:1	\$617	F3	84.0	1.8	42	13.12	N
	1200	208-230/460	56HC	N608	56T11W5378	*	10:1	\$753	F3	77.0	5.7-5.7/2.85	50	14.18	5,V
2	3600	208-230/460	56HC	N609	56T34V5309	*	1000:1	\$688	F3	82.5	5.6-5.0/2.5	49	13.06	N,V,5,17
	3600	208-230/460	145TC	K2060	5KE49TN8389	*	10:1	\$763	F3	84.0	5.6-5.2/2.6	42	13.25	d
	3600	208-230/460	145TC	N610	145TTVR5302	*	1000:1	\$763	F3	84.0	5.6-5.0/2.5	49	13.12	N
	1800	208-230/460	56C	K2065	5KE48WN4586	*	10:1	\$708	F3	84.0	6-5.6/0.2.8	46	13.69	d
	1800	208-230/460	56C	N611	56T17W5327	*	10:1	\$708	F3	81.5	6.2-6.2/3.1	38	12.69	V
	1800	575	145TC	K2062	5KE48WN8388	*	10:1	\$768	F3	84.0	2.3	46	13.75	d
	1800	575	145TC	N630	145TTWR6033	*	10:1	\$775	F3	86.5	2.3	46	13.75	V
	1800	208-230/460	145TC	N612	145TTWR4026	*	10:1	\$768	F3	84.0	6.0-5.6/2.8	50	13.75	d,V
	1800	208-230/460	145TC	N612A	145TTWR6026	*	10:1	\$955	F3	86.5	6.0-5.6/2.8	46	13.75	V
3	3600	230/460	145TC	K2063	5KE49WN8383	*	10:1	\$905	F3	85.5	7.6/3.8	46	13.75	d
	3600	208-230/460	145TC	N613	145TTWR4001	*	10:1	\$905	F3	85.5	8.4-7.6/3.8	46	13.75	d,V
	3600	208-230/460	145TC	N613A	145TTWR6001	*	10:1	\$1,126	F3	89.5	8.4-7.6/3.8	46	13.75	V
	1800	208-230/460	182TC	N1614	182TTWW4026	*	10:1	\$1,009	F3	87.5	8.2-8.2/4.1	65	14.47	d,V
	1800	208-230/460	182TC	N614B	182TTWW6026	*	10:1	\$1,255	F3	89.5	8.6-7.8/3.9	80	14.47	V
5	3600	208-230/460	184TC	N1615	184TTWW4001	*	10:1	\$1,263	F3	87.5	13.4-12.2/6.1	78	14.47	d,V
	3600	208-230/460	184TC	N615B	184TTWW6001	*	10:1	\$1,570	F3	88.5	13.2-12.0/6.0	79	14.47	V
	1800	208-230/460	184TC	N1616	184TTWW4026	*	10:1	\$1,141	F3	87.5	13.6-12.8/6.4	74	14.97	d,V
	1800	208-230/460	184TC	N616B	184TTWW6026	*	10:1	\$1,417	F3	88.5	13.6-12.8/6.4	84	14.97	V
7 1/2	3600	208-230/460	213TC	N617	213TTWR4002	*	10:1	\$1,568	F3	88.5	17.6-16.8/8.4	138	17.47	d,V
	3600	208-230/460	213TC	N617A	213TTWR6002	*	10:1	\$1,950	F3	89.5	18.6-17.8/8.9	140	17.47	V
	1800	208-230/460	213TC	N618	213TTWR4026	*	10:1	\$1,446	F3	89.5	24.0-22.0/11.0	130	17.21	d,V
	1800	208-230/460	213TC	N618A	213TTWR6026	*	10:1	\$1,797	F3	91.7	23.4-21.4/10.7	135	17.71	V
10	1800	208-230/460	215TC	N619	215TTWR4026	*	10:1	\$1,644	F3	89.5	29.0-28.0/14.0	140	18.71	d,V
	1800	208-230/460	215TC	N619A	215TTWR6026	*	10:1	\$2,043	F3	91.7	27.6-26.6/13.3	145	18.71	V

* Requires nameplate modification

Catalog numbers (Cat No.) highlighted in bold blue have efficiency levels that meet EISA requirements

WASHDOWN DUTY

PowerWash™ SXT Washdown Duty, Three Phase

All Stainless Steel, Totally Enclosed



Features:

- Suitable for use on VFD 10:1 Variable torque, 10:1 (TEFC) or 1000:1 (TENV) Constant Torque
- MAX GUARD® Class F insulation system
- 1.15 Service Factor on sinewave, 1.0 Service Factor on IGBT power
- Double sealed ball bearings
- 303 stainless steel shaft with springloaded contact seals in each end. (Drive end only on TENV)
- 300 Series Stainless steel external construction: frame, endshields, conduit box, mounting base and hardware for superior corrosion resistance
- Internal corrosion resistant coatings on rotor and heavy polyester varnish on the stator
- 100% Paint-free construction
- One way condensation drains in each endshield and conduit box for all angle mounting
- Nitrile Buna - N gaskets and seals on conduit box, through bolts and endshields
- Rated 60/50 hertz, 190/380 volt at next lower horsepower
- Nameplate information laser etched on frame
- UL Recognized, CSA Certified and CE Mark



C-Face Footless

HP	RPM	VOLTS	FRAME	CAT. NO.	MODEL NO.	STOCK	LIST PRICE	MULT. SYMB.	NOM. EFF.	F.L. AMPS	APPROX WGT LBS	"C" DIM.	FOOT NOTES
1/3	1800	208-230/460	56C	N430	56T17VD5329	★	\$512	F3	78.5	1.2-1.3/65	30	9.40	N
1/2	1800	208-230/460	56C	N431	56T17VD5330	★	\$525	F3	81.5	1.5-1.6/1.8	30	9.40	N
3/4	1800	208-230/460	56C	N432	56T17VD5331	★	\$610	F3	82.5	2.4-2.3/1.15	30	9.40	N
1	1800	208-230/460	56C	N433	56T17WD5330	★	\$636	F3	82.5	3.2-3/1.5	39	13.40	
	1800	208-230/460	143TC	N434	143TTWD5527	★	\$659	F3	82.5	3.2-3/1.5	43	13.87	
1 1/2	1800	208-230/460	56C	N435	56T17WD5331	★	\$664	F3	84.0	5.8-5.4/4.4	45	13.40	
2	1800	208-230/460	56C	N437	56T17WD5332	★	\$758	F3	84.0	6.2-5.8/2.9	49	13.40	
	1800	208-230/460	145TC	N438	145TTWD5528	★	\$784	F3	84.0	6.2-5.8/2.9	50	13.87	

Catalog numbers (Cat No.) highlighted in bold blue have efficiency levels that meet EISA requirements

C-Face Footed (Rigid Base)

HP	RPM	VOLTS	FRAME	CAT. NO.	MODEL NO.	STOCK	LIST PRICE	MULT. SYMB.	NOM. EFF.	F.L. AMPS	APPROX WGT LBS	"C" DIM.	FOOT NOTES
1/3	3600	208-230/460	56C	N450	56T34VD5301		\$461	F3	74.0	1.1-1.0/0.5	20	9.40	N
	1800	208-230/460	56C	N410	56T17VD5326	★	\$515	F3	78.5	1.2-1.3/65	30	9.40	N
1/2	3600	208-230/460	56C	N451	56T34VD5302	★	\$471	F3	77.0	1.6-1.5/75	25	9.40	N
	1800	208-230/460	56C	N411	56T17VD5328	★	\$530	F3	81.5	1.5-1.6/8	31	9.40	N
3/4	3600	208-230/460	56C	N452	56T34VD5303	★	\$517	F3	78.5	2.2-2.0/1.0	31	9.40	N
	1800	208-230/460	56C	N412	56T17VD5327	★	\$613	F3	82.5	2.4-2.3/1.15	40	12.06	N
1	3600	208-230/460	56C	N453	56T34WD5301		\$608	F3	80.0	2.9-2.6/1.3	25	13.40	5
	3600	208-230/460	143TC	N454	143TTWD4001	★	\$817	F3	80.0	2.9-2.6/1.3	40	13.87	
	1800	208-230/460	56C	N413	56T17WD5326	★	\$638	F3	82.5	3.2-3.0/1.5	45	12.13	5
	1800	208-230/460	143TC	N414	143TTWD4026	★	\$690	F3	82.5	3.2-3.0/1.5	45	13.69	d
1 1/2	1800	208-230/460	143TC	N414A	143TTWD6026	★	\$858	F3	85.5	3.2-3.0/1.5	48	13.62	
	3600	208-230/460	56C	N455	56T34WD5302	★	\$670	F3	82.5	4.2-3.8/1.9	46	13.40	5
	3600	208-230/460	143TC	N456	143TTWD4002	★	\$726	F3	82.5	4.2-3.8/1.9	48	13.87	d
	3600	208-230/460	143TC	N456A	143TTWD6002	★	\$902	F3	84.0	4.2-3.8/1.9	48	13.62	
2	1800	208-230/460	56C	N415	56T17WD5329	★	\$666	F3	84.0	5.0-4.8/2.4	40	14.25	5
	3600	208-230/460	56C	N457	56T34WD5303	★	\$743	F3	84.0	5.6-5.0/2.5	47	13.40	5
	3600	208-230/460	145TC	N458A	145TTWD6001		\$1,081	F3	85.5	5.6-5.0/2.5	50	13.62	
	1800	208-230/460	56C	N417	56T17WD5328	★	\$760	F3	84.0	6.2-5.8/2.9	50	14.25	5
1800	208-230/460	145TC	N418	145TTWD4029	★	\$852	F3	84.0	6.2-5.8/2.9	50	13.69	d	
	208-230/460	145TC	N418A	145TTWD6029	★	\$1,059	F3	86.5	6.2-5.8/2.9	53	13.62		

Catalog numbers (Cat No.) highlighted in bold blue have efficiency levels that meet EISA requirements

PowerWash™ SXT-Plus Washdown Duty, Three Phase

Stainless/BISSC, Totally Enclosed



Features:

- Suitable for use on VFD, 10:1 Variable torque, 10:1 (TEFC) or 1000:1 (TENV) Constant Torque, 1.0 Service Factor
- MAX GUARD® Class F insulation system
- 1.15 Service Factor on sinewave, 1.0 Service Factor on IGBT power
- Double sealed ball bearings with moisture resistant, high temperature grease
- 300 Series Stainless steel external construction: frame, endshields, shaft, conduit box, mounting base and hardware for superior corrosion resistance
- Internal corrosion resistant coatings on rotor and heavy polyester varnish on the stator
- 100% Paint-free construction
- Viton® o-rings, shaft seals, and gaskets for superior sealing against chemicals
- Hydrophic breather in OP endshield and conduit box equalize air pressure
- Nameplate information laser etched on frame
- BISSC Certified for baking industry
- UL Recognized, CSA Certified and CE Mark



C-Face Footed (Rigid Base)

HP	RPM	VOLTS	FRAME	CAT. NO.	MODEL NO.	STOCK	LIST PRICE	MULT. SYMB.	NOM. EFF.	F.L. AMPS	APPROX WGT LBS	"C" DIM.	FOOT NOTES
1/2	1800	208-230/460	56HC	N400	56T17V5347	★	\$966	F3	78.0	1.6-1.6/.8	37	12.54	d,N,5
3/4	1800	208-230/460	56HC	N401	56T17V5348	★	\$1,003	F3	83.6	2.4-2.3/1.15	42	11.71	N,5
1	1800	208-230/460	56HC	N402	56T17V5349	★	\$1,026	F3	82.0	2.4-2.3/1.15	47	13.54	N,5
	1800	208-230/460	143TC	N403	143TTVD5326	★	\$1,026	F3	82.0	3.1-3.0/1.5	50	13.61	d,N,5
1 1/2	1800	208-230/460	145TC	N404A	145TTWD6026		\$1,200	F3	86.5	4.5-4.4/2.2	52	14.25	
	1800	208-230/460	145TC	N405	145TTWD4027		\$1,282	F3	84.0	6.0-6.0/3.0	54	14.25	d
2	1800	208-230/460	145TC	N405A	145TTWD6027	★	\$1,491	F3	86.5	5.6-5.6/2.8	50	13.69	
	1800	208-230/460	182TC	N406A	182TTWD6031	★	\$1,791	F3	89.5	8.8-8.2/4.1	85	14.77	
3	1800	208-230/460	184TC	N407	184TTWD14031	★	\$1,757	F3	87.5	13.8-13.0/6.5	63	15.37	d
	1800	208-230/460	184TC	N407A	184TTWD6031		\$2,043	F3	89.5	13.8-13.0/6.5	96	15.27	
7 1/2	1800	208-230/460	213TC	N408	213TTWD14031	★	\$2,628	F3	89.5	24.0-22.0/11.0	165	18.69	d
	1800	208-230/460	213TC	N408A	213TTWD6031		\$3,056	F3	91.7	22.4-20.4/10.8	160	18.69	
10	1800	208-230/460	215TC	N409	215TTWD14031	★	\$2,707	F3	89.5	29.0-28.0/14.0	167	18.69	d
	1800	208-230/460	215TC	N409A	215TTWD6031		\$3,148	F3	91.7	28.0-26.0/13.0	173	18.69	

Catalog numbers (Cat No.) highlighted in bold blue have efficiency levels that meet EISA requirements

PowerWash™ Coupler Brakes

PowerWash™ coupler brakes are specifically designed for use with PowerWash™ Washdown Duty motors. Rated for NEMA 4X/IP55, these brakes are suitable for applications with high moisture or pressure washdown. Painted with a special white epoxy food-safe paint, these brakes are **BISSC Certified**.

ENCLOSURE NEMA 4X/IP55	CAT. NO.	KIT NO.	STOCK	LIST PRICE	MULT. SYMB.	APPROX WGT LBS
3 ft. lb.	A909	KIT 909	★	\$755	S4	12
6 ft. lb.	A910	KIT 910	★	\$816	S4	12
10 ft. lb.	A911	KIT 911	★	\$897	S4	12

Hazardous Duty™ Division 1 Explosion Proof Class I and II, Groups C, D, E (as noted), F & G

Steel Frame, Standard and EPAct Efficiencies, Three Phase



Features:

- 1.0 Service Factor (except as noted)
- Meets temperature code T3B
- Explosion proof conduit box included, shipped loose
- UL Listed File No. E12044
- CSA Certified File No. LR47504
- K717 & K718 are rated for Class I Group D, Class II Groups F&G only
- Automatic Overload (except as noted)

Rigid Base

HP	RPM	VOLTS	FRAME	GROUP E	CAT. NO.	MODEL NO.	STOCK	LIST PRICE	MULT. SYMB.	NOM. EFF.	F.L. AMPS	WEIGHT	"C" DIM.	FOOT NOTES
1/4	1800	230/460	48	N	K717	5K32GNB249	★	\$578	F1	62.5	1.2/0.6	19	9.68	
	1800	208-230/460	56	N	G646	56T17E5308	★	\$545	F1	71.0	1.1-1.1/55	25	11.97	N
	1800	575	56	N	G664	56T17E5314	★	\$545	F1	71.0	0.43	25	11.97	N
1/3	1800	230/460	56	N	K718	5K33NNB234	★	\$580	F1	74.0	1.2/0.6	23	11.12	d
	1800	208-230/460	56	N	G647	56T17E5309	★	\$580	F1	74.0	1.3-1.2/.60	25	11.97	N
	1800	575	56	N	G665	56T17E5315	★	\$580	F1	74.0	0.5	25	11.97	N
	1200	230/460	56	N	K2101	5K49FN6381	★	\$783	F1	62.0	2.2/1.1	29	13.44	
1/2	3600	208-230/460	56	N	G648	56T34G5303	★	\$533	F1	66.5	2.1-2.4/1.2	30	13.44	
	1800	208-230/460	56	N	K2103	5K49JN4560	★	\$613	F1	68.0	2.2-2.4/1.2	29	13.94	d
	1800	208-230/460	56	N	G649	56T17G5312	★	\$613	F1	68.0	2.3-2.4/1.2	28	13.94	
	1800	200	56	N	K2102	5K49JN4582	★	\$701	F1	68.0	2.75	29	13.94	
	1800	575	56	N	G666	56T17G5321	★	\$613	F1	68.0	1.0	28	13.94	
	1200	230/460	56	N	K2104	5K49HN6385	★	\$825	F1	68.0	2.7/1.35	34	13.44	
3/4	3600	208-230/460	56	N	G660	56T34G5304	★	\$585	F1	74.0	3.0-3.2/1.6	30	13.44	
	1800	208-230/460	56	N	K2106	5K49JN4561	★	\$647	F1	75.5	2.9-3.0/1.5	31	13.94	d
	1800	208-230/460	56	N	G661	56T17G5313	★	\$647	F1	75.5	2.9-3.0/1.5	30	13.94	
	1800	200	56	N	K2105	5K49JN4574	★	\$747	F1	75.5	3.45	31	13.94	
	1800	575	56	N	G667	56T17G5322	★	\$647	F1	75.5	1.2	29	13.94	
	1200	208-230/460	143T	N	K2107	5K49MN8349	★	\$883	F1	74.0	3.2-3.2/1.6	42	14.00	
	1200	208-230/460	56	N	K2116	5K49MN6382	★	\$878	F1	74.0	3.2-3.2/1.6	42	13.94	
	1	3600	208-230/460	56	N	K2108	5K49HN2507	★	\$621	F1	74.0	3.0-3.2/1.6	30	13.44
3600		208-230/460	56	N	G662	56T34G5305	★	\$621	F1	74.0	3.9-3.6/1.8	28	13.44	
1800		208-230/460	56	N	G663	56T17G5314	★	\$653	F1	77.0	3.5-3.6/1.8	31	13.94	
1800		208-230/460	143T	N	K2201	5KE49PN4579	★	\$869	E7	82.5	3.2-3.0/1.5	45	14.50	d
1800		208-230/460	143T	Y	I502	143TTGR16026	★	\$1,016	E7	85.5	3.3-3.3/1.65	48	16.00	TS
1800		575	56	N	G668	56T17G5323	★	\$653	F1	77.0	1.45	31	13.94	
1800		575	143T	Y	I503	143TTGR16030	★	\$1,016	E7	85.5	1.3	48	16.00	TS
1200		230/460	56H	N	K2110	5K49TN6383	★	\$921	F1	77.0	3.4/1.7	47	15.50	
1200		208-230/460	145T	N	K2202	5KE49TN8356	★	\$1,052	E7	80.0	3.6-3.4/1.7	49	15.50	d,TS
1200		208-230/460	145T	Y	I504	145TTGR16076	★	\$1,230	E7	82.5	3.8-3.8/1.9	58	16.50	TS
1200		575	145T	Y	I505	145TTGR16080	★	\$1,230	E7	82.5	1.5	58	16.50	TS
1 1/2	3600	230/460	143T	N	K2203	5KE49PN8357	★	\$805	E7	82.5	4.0/2.0	38	14.50	d,TS,18
	3600	208-230/460	143T	Y	I506	143TTGR16001	★	\$941	E7	84.0	4.0/2.0	38	14.50	TS
	3600	575	143T	Y	I507	143TTGR16005	★	\$941	E7	84.0	1.6	38	14.50	TS
	1800	208-230/460	56H	N	K2111	5K49NN4580	★	\$823	F1	80.0	4.8-4.8/2.4	42	14.08	
	1800	208-230/460	145T	Y	I508	145TTGR16038	★	\$963	E7	86.5	4.7-4.6/2.3	42	16.00	TS
	1800	575	145T	Y	I509	145TTGR16030	★	\$963	E7	86.5	1.85	42	16.00	TS
2	3600	208-230/460	145T	N	K2205	5KE49SN8355	★	\$1,207	E7	84.0	5.6-5.2/2.6	47	15.00	d,TS,18
	3600	208-230/460	145T	Y	I512	145TTGR16002	★	\$1,411	E7	85.5	5.6-5.0/2.5	47	16.50	TS
	3600	575	145T	Y	I513	145TTGR16004	★	\$1,411	E7	85.5	2.0	47	16.50	TS
	1800	208-230/460	145T	Y	I514	145TTGR16040	★	\$1,176	E7	86.5	6.0-5.6/2.8	55	16.50	TS
	1800	575	145T	Y	I515	145TTGR16039	★	\$1,176	E7	86.5	2.4	55	16.50	TS

Catalog numbers (Cat No.) highlighted in bold blue have efficiency levels that meet EISA requirements

Hazardous Duty™ Division 1 Explosion Proof Class I and II, Groups D, F & G

Blue Chip® Severe Duty, NEMA Premium Efficiency, Three Phase

Features:

- 10:1 Variable torque, see Inverter Duty column for constant torque
- 1.15 Service Factor
- Normally closed thermostats (must be connected to control circuit)
- Meets temperature code T3B
- All cast iron construction
- External surface treated with epoxy paint
- Nameplated 60/50 hertz, 190/380 Volts, at next lower horsepower as noted
- UL Listed File No. E12044
- CSA Certified File No. LR47504
- Two year warranty

IP54

C-Face Footed (Rigid Base)

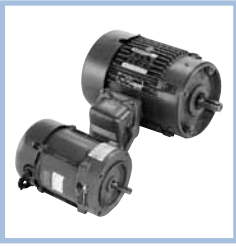
HP	RPM	VOLTS	FRAME	CAT. NO.	MODEL NO.	STOCK	CT SPEED RANGE	LIST PRICE	MULT. SYMB.	NOM. EFF.	F.L. AMPS	WEIGHT	"C" DIM.	FOOT NOTES
1	1800	208-230/460	143TC	C361A	143TTGN6551	★	10:1	\$886	E7	85.5	3.0-3.0/1.5	72	15.23	68,80
1 1/2	1800	208-230/460	145TC	C362	145TTGN4032	★	10:1	\$806	E7	84.0	4.6-4.4/2.2	82	15.23	d,68,80
	1800	208-230/460	145TC	C362A	145TTGN6536	★	10:1	\$938	E7	86.5	4.7-4.6/2.3	88	15.23	68,80
2	1800	208-230/460	145TC	C363A	145TTGN6549	★	10:1	\$986	E7	86.5	6.2-6.0/3.0	90	15.23	68,80
3	1800	208-230/460	182TC	C364A	182TTGN6569	★	10:1	\$1,146	E7	89.5	8.4-8.0/4.0	154	16.62	68
	1800	575	182TC	C368A	182TTGN6536		10:1	\$1,146	E7	89.5	3.2	158	16.62	
5	1800	208-230/460	184TC	C365A	184TTGN6575	★	10:1	\$1,249	E7	89.5	13.8-12.4/6.2	168	18.62	68
	1800	575	184TC	C369A	184TTGN6537		10:1	\$1,249	E7	89.5	5.0	167	18.62	TS
7 1/2	1800	208-230/460	213TC	C366A	213TTGN6528	★	10:1	\$1,698	E7	91.7	20.8-19.2/9.6	255	23.45	68
	1800	575	213TC	C370A	213TTGN6536		10:1	\$1,698	E7	91.7	7.7	275	23.45	TS
10	1800	208-230/460	215TC	C367A	215TTGN6528	★	2:1	\$1,953	E7	91.7	27.0-25.0/12.5	228	23.45	68
	1800	575	215TC	C371A	---		2:1	\$1,953	E7	91.7	10.4	201	23.45	TS

Blue shaded areas are Cast Iron Frames

Catalog numbers (Cat No.) highlighted in bold blue have efficiency levels that meet EISA requirements

Hazardous Duty™ Division 1 Explosion Proof Class I and II, Groups C (as noted), D, F & G

Severe Duty, Standard and NEMA Premium Efficiencies, Three Phase



Features:

Frame Construction
Thermal Protection
Class/Group

Temperature Code
Conduit Box
Service Factor
UL File
CSA File

56 Frame

Rolled Steel
Auto Overload
Class I, Groups C & D,
Class II, Groups F & G
T3B
Shipped Loose
1.0 (unless otherwise noted)
E12044
LR47504

143-256TC

Cast Iron "Blue Chip"
T-Stats
Class I, Group D
Class II, Groups F & G
T3B
Installed
1.0 (unless otherwise noted)
E12044
LR47504

C-Face Footless

HP	RPM	VOLTS	FRAME	CAT. NO.	MODEL NO.	STOCK	CT SPEED RANGE	LIST PRICE	MULT. SYMB.	NOM. EFF.	F.L. AMPS	WEIGHT	"C" DIM.	FOOT NOTES
1/4	1800	208-230/460	56C	G827	56T17E5310	*	-----	\$512	F1	71.0	25	1.1-1.1/0.55	11.97	CD,N
	1800	575	56C	G842	56T17E5312	*	-----	\$512	F1	71.0	25	0.43	11.97	CD,N
1/3	1800	208-230/460	56C	G828	56T17E5311	*	-----	\$541	F1	74.5	25	1.3-1.2/0.6	11.97	CD,N
	1800	575	56C	G843	56T17E5313	*	-----	\$541	F1	74.5	25	0.50	11.97	CD,N
1/2	1800	208-230/460	56C	G829	56T17G5315	*	-----	\$570	F1	68.0	28	2.3-2.4/1.2	13.94	CD
	1800	208-230/460	56C	K2112	5K49JN4576	*	-----	\$570	F1	68.0	29	2.3-2.4/1.2	13.94	d,CD
	1800	575	56C	G844	56T17G5318	*	-----	\$570	F1	68.0	32	1.0	13.94	CD
3/4	1800	208-230/460	56C	G840	56T17G5316	*	-----	\$601	F1	75.5	29	2.9-3.0/1.5	13.94	CD
	1800	208-230/460	56C	K2113	5K49JN4577	*	-----	\$601	F1	75.5	31	2.6-3/1.5	13.94	d,CD
	1800	575	56C	G845	56T17G5319	*	-----	\$601	F1	75.5	29	1.2	13.94	CD
1	1800	208-230/460	56C	G841	56T17G5317	*	-----	\$608	F1	77.0	30	3.5-3.6/1.8	13.94	CD
	1800	208-230/460	56C	K2114	5K49LN4578	*	-----	\$608	F1	77.0	38	3.5-3.6/1.8	13.94	d,CD
	1800	575	56C	G846	56T17G5320	*	-----	\$608	F1	77.0	32	1.45	13.94	CD
	1800	208-230/460	143TC	C320A	143TTGN4062	*	10:1	\$748	E7	82.5	55	3.4-3.6/1.8	15.18	18,68
1 1/2	3600	208-230/460	143TC	C301A	143TTGN4020	*	10:1	\$777	E7	82.5	54	4.6-4.4/2.2	15.18	18,68
	1800	208-230/460	56C	K2115	5K49NN4581	*	-----	\$868	F1	80.0	38	3.6-4.8/2.4	14.44	18,CD
	1800	208-230/460	145TC	C321A	145TTGN4337	*	10:1	\$791	E7	84.0	60	4.6-4.4/2.2	15.18	18,68
2	3600	208-230/460	145TC	C302A	145TTGN4022	*	2:1	\$844	E7	84.0	59	5.6-5.4/2.7	13.98	18,68
	1800	208-230/460	145TC	C322	145TTGN7338	*	10:1	\$779	E7	81.5	65	6.2-6.2/3.1	13.98	d,18,68
	1800	208-230/460	145TC	C322A	145TTGN4338	*	10:1	\$834	E7	84.0	69	6.0-5.6/2.8	15.18	18,68
3	3600	230/460	182TC	C303	182TTGS7315	*	10:1	\$868	E7	82.5	119	7.8/3.9	15.62	d,68
	3600	208-230/460	182TC	C303A	182TTGN4315	*	10:1	\$928	E7	85.5	119	8.4-7.4/3.7	18.62	68
	1800	230/460	182TC	C323A	182TTGN4068	*	2:1	\$922	E7	87.5	112	8.8-8.0/4.0	18.62	68
5	3600	208-230/460	184TC	C304A	184TTGN4313	*	2:1	\$1,165	E7	87.5	133	12.4-11.8/5.9	18.62	68
	1800	208-230/460	184TC	C324A	184TTGN4072	*	2:1	\$1,078	E7	87.5	132	14.7-13/6.5	18.62	68
7 1/2	3600	230/460	213TC	C305	213TTGS14015	*	2:1	\$1,543	E7	88.5	241	19.0/9.5	22.25	68
	1800	230/460	213TC	C325	213TTGS7067	*	2:1	\$1,378	E7	87.5	188	20.0/10.0	19.50	d,68
	1800	208-230/460	213TC	C325A	213TTGN4067	*	2:1	\$1,474	E7	89.5	194	22.0-20.0/10.0	23.45	68
10	3600	230/460	215TC	C306	215TTGS14020	*	2:1	\$1,703	E7	90.2	271	24.0/12.0	22.25	68
	1800	208-230/460	215TC	C326A	215TTGN4065	*	2:1	\$1,688	E7	89.5	216	27.2-25.0/12.5	23.45	68
15	3600	230/460	254TC	C307	254TTGP7021	*	2:1	\$2,066	E7	85.5	301	38.8/19.4	24.19	d,68
	3600	230/460	254TC	C307A	254TTGP14013	*	2:1	\$2,210	E7	90.2	331	35/17.5	24.19	68
	1800	230/460	254TC	C327A	254TTGN14042	*	-----	\$2,176	E7	91.0	370	39/19.5	25.77	68
20	3600	230/460	256TC	C308A	256TTGN14011	*	2:1	\$2,654	E7	90.2	340	47.0/23.5	25.77	68
	1800	208-230/460	256TC	C328A	256TTGN14044	*	2:1	\$2,721	E7	91.0	315	50.0/25.0	25.94	68

Blue shaded areas are Cast Iron Frames

Catalog numbers (Cat No.) highlighted in bold blue have efficiency levels that meet EISA requirements

HAZARDOUS
DUTY

Hazardous Duty™ Division 1 Explosion Proof, NEMA Premium® XRI®, Class I and II, Groups C, D, F & G

Blue Chip® Severe Duty, Three Phase



Features:

Meets NEMA Premium® efficiencies

- 10:1 Variable torque, see Inverter Duty column for constant torque
- MAX GUARD® Class F insulation
- Blue Chip® quality, 100% cast iron construction for rigidity and reduced vibration
- Internal and external surfaces treated with epoxy paint
- 1.15 Service Factor on sinewave or 1.0 Service Factor on IBGT power
- Precision balanced to .08"/sec.
- Extended grease tubes
- Normally closed therostats (must be connected to control circuit)
- Meets temperature code T3B
- Shaft slinger
- Nameplated 60/50 Hz, 190/380 Volts, at next lower HP, as noted
- See MOD CENTRAL for:
 - C-Face Kit Modifications
 - F2 mounting
- Ball Bearings (except as noted)
- UL Listed File No. E12044
- CSA Certified File No. LR47504
- Three year warranty



Rigid Base

HP	RPM	VOLTS	FRAME	GROUP C	CAT. NO.	MODEL NO.	STOCK	CT SPEED RANGE	LIST PRICE	MULT. SYMB.	NOM. EFF.	F.L. AMPS	WEIGHT	"C" DIM.	FOOT NOTES
3/4	1200	208-230/460	143T	N	H350	143TTGN7076	★	10:1	\$721	E7	74.0	3.1-3.2/1.6	55	12.48	25,68,80,91
1	1800	208-230/460	143T	N	U001A	143TTGN6526	★	10:1	\$804	E7	85.5	3.0-3.0/1.5	68	13.48	25,68,80,91
	1800	575	143T	N	U020A	143TTGN6530	★	10:1	\$804	E7	85.5	1.3	68	14.73	25,80
	1800	208-230/460	143T	Y	U986A	143TTGN6532	★	10:1	\$969	E7	85.5	3.0-3.0/1.5	68	13.48	25,80,91
	1200	208-230/460	145T	N	U039A	145TTGN6576	★	10:1	\$969	E7	82.5	4.0-3.6/1.8	76	14.73	25,68,80,91
1 1/2	3600	208-230/460	143T	N	U058A	143TTGN6501	★	10:1	\$861	E7	84.0	4.4-4.0/2.0	70	13.48	25,68,80,91
	1800	208-230/460	143T	N	U002A	145TTGN6526	★	10:1	\$858	E7	86.5	4.7-4.6/2.3	83	14.73	25,68,80,91
	1800	575	145T	N	U021A	145TTGN6537	★	10:1	\$858	E7	86.5	1.8	85	14.73	25,80
	1800	208-230/460	145T	Y	U987A	145TTGN16532	★	10:1	\$1,031	E7	86.5	4.7-4.6/2.3	81	14.73	25,80,91
	1200	208-230/460	182T	N	U040A	182TTGN6576	★	10:1	\$1,010	E7	87.5	4.8-4.4/2.2	147	15.87	25,68,91
2	3600	208-230/460	145T	N	U059A	145TTGN6501	★	10:1	\$1,010	E7	85.5	5.6-5.2/2.6	70	13.48	25,68,80,91
	1800	208-230/460	145T	N	U003A	145TTGN6527	★	10:1	\$908	E7	86.5	6.2-6.0/3.0	86	14.73	25,68,80,91
	1800	575	145T	N	U022A	145TTGN6540	★	10:1	\$908	E7	86.5	2.4	86	14.73	25,80
	1800	208-230/460	145T	Y	U988A	145TTGN6550	★	10:1	\$1,093	E7	86.5	6.2-6.0/3.0	83	14.73	25,80,91
	1200	208-230/460	184T	N	U041A	184TTGN6576	★	10:1	\$1,143	E7	88.5	6.4-6.0/3.0	154	17.87	25,68,91
3	3600	208-230/460	182T	N	U060A	182TTGN6501	★	10:1	\$1,045	E7	86.5	8.4-7.6/3.8	141	15.87	25,68,91
	1800	208-230/460	182T	N	U004A	182TTGN6526	★	10:1	\$1,035	E7	89.5	8.4-8.0/4.0	143	15.87	25,68,91
	1800	575	182T	N	U023A	182TTGN6530	★	10:1	\$1,035	E7	89.5	3.2	141	15.87	25
	1800	208-230/460	182T	Y	U989A	182TTGN6541	★	10:1	\$1,245	E7	89.5	8.4-8.0/4.0	161	15.87	25,68,91
	1200	208-230/460	213T	N	U042A	213TTGN6576	★	10:1	\$1,464	E7	89.5	8.8/4.4	244	22.63	25,68
5	3600	208-230/460	184T	N	U061A	184TTGN6501	★	10:1	\$1,270	E7	88.5	13.0-12.0/6.0	161	17.87	25,68,91
	1800	208-230/460	184T	N	U005A	184TTGN6526	★	10:1	\$1,135	E7	89.5	13.8-12.4/6.2	155	17.87	25,68,91
	1800	575	184T	N	U024A	184TTGN6530	★	10:1	\$1,135	E7	89.5	5.0	156	17.87	25
	1800	208-230/460	184T	Y	U990A	184TTGN6544	★	10:1	\$1,366	E7	89.5	13.8-12.4/6.2	150	17.87	25,68,91
	1200	230/460	215T	N	U043A	215TTGN6576	★	10:1	\$1,876	E7	89.5	13.8/6.9	206	22.63	25,68

Blue shaded areas are Cast Iron Frames

★ Requires larger fan

Catalog numbers (Cat No.) highlighted in bold blue have efficiency levels that meet EISA requirements

Continued on next page.

Hazardous Duty™ Division 1 Explosion Proof, NEMA Premium® XRI®, Class I and II, Groups C, D, F & G

Blue Chip® Severe Duty, Three Phase

Rigid Base

HP	RPM	VOLTS	FRAME	GROUP C	CAT. NO.	MODEL NO.	STOCK	CT SPEED RANGE	LIST PRICE	MULT. SYMB.	NOM. EFF.	F.L. AMPS	WEIGHT	"C" DIM.	FOOT NOTES
7 1/2	3600	208-230/460	213T	N	U062A	213TTGN6501	★	10:1	\$1,619	E7	89.5	20.0-19.0/9.5	256	22.63	25,68,91
	1800	208-230/460	213T	N	U006A	213TTGN6526	★	10:1	\$1,536	E7	91.7	20.8-19.2/9.6	248	22.63	25,68,91
	1800	575	213T	N	U025A	213TTGN16537	★	10:1	\$1,536	E7	91.7	7.7	243	22.63	25
	1800	208-230/460	213T	Y	U991A	213TTGN6540		10:1	\$1,849	E7	91.7	20.8-19.2/9.6	251	22.63	25,68,91
	1200	230/460	254T	Y	E500	254TTGN6576	★	10:1	\$2,246	E7	91.0	19.8/9.9	345	23.52	68
10	3600	230/460	215T	Y	U063A	215TTGN6501	★	10:1	\$1,838	E7	90.2	23.6/11.8	265	22.63	25,68
	1800	208-230/460	215T	N	U007A	215TTGN6526	★	10:1	\$1,791	E7	91.7	27.0-25.0/12.5	263	22.63	25,68,91
	1800	575	215T	N	U026A	215TTGN16532	★	10:1	\$1,791	E7	91.7	10.0	248	22.63	25
	1800	208-230/460	215T	Y	U992A	215TTGN6539		10:1	\$2,156	E7	91.7	25.0/12.5	253	22.63	25,68
	1200	230/460	256T	Y	E501	256TTGN6576	★	10:1	\$2,709	E7	91.0	26.2/13.1	360	25.27	68
15	3600	230/460	254T	Y	E502	254TTGN6507	★	10:1	\$2,196	E7	91.7	35.0/17.5	253	23.52	68
	1800	230/460	254T	Y	E503	254TTGN6531	★	10:1	\$2,183	E7	92.4	37.5/18.8	385	23.52	68
	1800	575	254T	Y	U027A	254TTGN16541	★	10:1	\$2,183	E7	92.4	15.1	402	23.52	
	1200	230/460	284T	Y	E504	284TTGN6576	★	10:1	\$3,763	E7	91.7	41.0/20.4	536	26.34	68
20	3600	208-230/460	256T	Y	E505	256TTGN16509	★	10:1	\$3,223	E7	92.4	51-47/23.4	275	25.27	68
	1800	230/460	256T	Y	E506	256TTGN6531	★	10:1	\$2,584	E7	93.0	48.0/24.1	409	25.27	68
	1800	575	256T	Y	U028A	256TTGN16540	★	10:1	\$2,584	E7	93.0	19.3	417	25.27	
	1200	230/460	286T	Y	E507	286TTGN16577	★	10:1	\$4,388	E7	91.7	53.6/26.8	593	27.69	
25	3600	230/460	284TS	Y	E546	284TSTGN6503	★	10:1	\$3,572	E7	93.6	56.0/28.1	412	24.97	68
	1800	230/460	284T	Y	E547	284TTGN6533	★	10:1	\$3,287	E7	93.6	62.0/31.0	536	26.34	68
	1800	575	284T	Y	U029A	284TTGN16539		10:1	\$3,287	E7	93.6	24.8	358	26.34	
	1800	230/460	284TS	Y	U076A	284TSTGN16531		10:1	\$3,287	E7	93.6	62.0/31.0	484	24.97	68
	1200	230/460	324T	Y	U048A	324TTGS16577	★	10:1	\$6,458	E7	93.0	65.0/32.5	681	28.87	68
30	3600	230/460	286TS	Y	E563	286TSTGN6501	★	10:1	\$3,849	E7	93.6	67.5/34.0	487	26.47	68
	1800	230/460	286T	Y	E564	286TTGN6537	★	10:1	\$3,811	E7	94.1	80.0-73.0/36.5	588	27.84	68
	1800	575	286T	Y	U030A	286TTGN16533		10:1	\$3,811	E7	93.6	29.2	546	27.84	
	1800	208-230/460	286TS	Y	U077A	286TSTGN16531		10:1	\$3,811	E7	93.6	80.0-73.0/36.5	462	26.47	68
	1200	230/460	326T	Y	E565	326TTGS6578		10:1	\$7,021	E7	93.0	77.0/38.5	900	30.37	68
40	3600	230/460	324TS	Y	E566	324TSTGS6501	★	10:1	\$5,181	E7	93.6	94.0/47.0	734	28.87	68
	1800	230/460	324T	Y	E567	324TTGS6529	★	10:1	\$5,072	E7	94.1	95.0/47.5	749	30.37	68
	1800	575	324T	Y	U031A	324TTGS16535		10:1	\$5,072	E7	94.1	38.0	572	30.37	
	1800	230/460	324TS	Y	U078A	324TSTGS16531		10:1	\$5,072	E7	94.1	95.0/47.5	770	28.87	68
	1200	230/460	364T	Y	E568A	364TTGS16577	★	10:1	\$8,443	E7	93.6	100/50.0	1151	31.50	68
50	3600	230/460	326TS	Y	E569	326TSTGS6501	★	10:1@	\$6,570	E7	93.6	118/59.0	831	30.37	68
	1800	230/460	326T	Y	E570	326TTGS6532	★	10:1@	\$6,177	E7	94.5	123/61.5	791	30.37	68
	1800	575	326T	Y	U032A	326TTGS16539		10:1@	\$6,177	E7	94.5	49.0	572	30.37	68
	1800	208-230/460	326TS	Y	U079A	326TSTGS16532		10:1@	\$6,177	E7	94.5	120/60.0	688	28.87	68
	1200	230/460	365T	Y	E571	365TTGS16577	★	10:1@	\$9,135	E7	94.5	123/61.5	1099	32.50	87
60	3600	230/460	364TS	Y	E572	364TSTGS6506	★	10:1@	\$9,544	E7	94.5	134/67.0	1033	29.38	87
	1800	230/460	364T	Y	E573A	364TTGS16536	★	10:1@	\$9,484	E7	95.0	138/69.0	1178	31.50	87
	1800	575	364T	Y	U033A	364TTGS16537		10:1@	\$9,484	E7	95.0	55.0	1161	31.50	
	1800	208-230/460	364TS	Y	U080A	364TSTGS16531		10:1@	\$9,484	E7	95.0	138/69.0	1145	29.38	68
	1200	230/460	404T	Y	E574	404TTGS6588	★	10:1@	\$11,407	E7	94.5	144/72.0	1295	35.62	
75	3600	230/460	365TS	Y	E575	365TSTGS16503	★	10:1@	\$11,060	E7	94.1	169/84.5	1097	30.38	87
	1800	230/460	365T	Y	E576A	365TTGS16540	★	2:1	\$11,007	E7	95.4	174/87.0	1124	32.50	A,68
	1800	575	365T	Y	U034A	365TTGS16542		2:1	\$11,007	E7	95.4	69.0	1094	32.50	A
	1800	208-230/460	365TS	Y	U081A	365TSTGS16532		2:1	\$11,007	E7	95.4	174/87	1087	30.38	A,68
	1200	230/460	405T	Y	E577	405TTGS6589	★	10:1@	\$13,283	E7	94.5	180/90.0	1388	37.12	87

Blue shaded areas are Cast Iron Frames

@ Requires larger fan

Catalog numbers (Cat No.) highlighted in bold blue have efficiency levels that meet EISA requirements

Continued on next page.

Hazardous Duty™ Division 1 Explosion Proof, NEMA Premium® XRI®, Class I and II, Groups C, D, F & G

Blue Chip® Severe Duty, Three Phase

Rigid Base

HP	RPM	VOLTS	FRAME	GROUP C	CAT. NO.	MODEL NO.	STOCK	CT SPEED RANGE	LIST PRICE	MULT. SYMB.	NOM. EFF.	F.L. AMPS	WEIGHT	"C" DIM.	FOOT NOTES
100	3600	230/460	405TS	Y	E578	405TSTGS6503		10:1	\$14,962	E7	94.5	216/108	1349	34.12	87
	1800	230/460	405T	Y	E594	405TTGS6548	★	10:1	\$13,577	E7	95.4	226/113	1479	37.12	68
	1800	575	405T	Y	U035A	405TTGS16539		10:1	\$13,577	E7	95.4	90.5	1365	37.12	87
	1800	208-230/460	405TS	Y	U082A	405TSTGS16531		10:1	\$13,577	E7	95.4	226/113	1333	34.12	87
	1200	230/460	444T	Y	E580A	444TTGN16580	★	10:1@	\$18,980	E7	95.0	248/124	1813	41.35	68,87
125	3600	460	444TS	Y	U073A	444TSTGN16502		2:1	\$24,057	E7	94.5	139	1824	36.70	68
	1800	460	444T	Y	E582A	444TTGN16532	★	10:1@	\$19,926	E7	95.4	143	1845	41.35	68
	1800	575	444T	Y	U036A	444TTGN16533		10:1@	\$19,926	E7	95.4	114	1808	41.35	
	1800	460	444TS	Y	U083A	444TSTGN16531		10:1@	\$19,926	E7	95.4	143	1835	37.60	
	1200	460	445T	Y	E583	445TTGN6597		---	\$21,820	E7	95.0	155	2200	43.25	
150	3600	460	445TS	Y	E584	445TSTGN16505		---	\$28,159	E7	95.0	168	1941	39.60	
	1800	460	445T	Y	E585	445TTGN6542	★	10:1	\$20,729	E7	95.4	172	2173	43.35	68
	1800	575	445T	Y	U037A	445TTGN16544		10:1	\$20,729	E7	95.4	138	2236	43.35	
	1800	460	445TS	Y	U084A	445TSTGN16531		10:1	\$20,729	E7	95.4	172	2163	39.60	68
	1200	460	445T	Y	U090A	445TTGN16588		---	\$23,454	E7	95.8	181	2384	43.35	RB,68
200	3600	460	445TS	Y	U075A	445TSTFN16506		---	\$34,359	E7	95.4	226	2395	39.6	
	1800	460	445T	Y	E588	445TTGN6538		10:1@	\$23,500	E7	96.2	224	2500	43.19	68
	1800	575	445T	Y	U038A	445TTGN16543		10:1@	\$23,500	E7	96.2	179	2384	43.35	RB
	1200	460	449T	Y	U091A	449TTGS16585		10:1	\$33,349	E7	95.8	240	2878	51.85	RB,68
250	3600	460	449TS	Y	E595	449TSTGS14003		---	\$34,888	E7	96.5	275	2867	47.94	17,68,87
	1800	460	449T	Y	E591	449TTGS16537		10:1	\$28,830	E7	96.5	285	3012	51.85	RB
	1800	460	449T	Y	H502	449TTGS7068		2:1	\$26,974	E7	95.0	290	2779	51.85	RB,17,68,87
300	1800	460	449T	Y	H503	449TTGS7037		2:1	\$30,039	E7	96.5	338	3032	51.85	RB,17,68,87
350	1800	460	449T	Y	H504	449TTGS7036		---	\$33,688	E7	96.2	400	3280	51.85	RB,17

Blue shaded areas are Cast Iron Frames

@ Requires larger fan

Catalog numbers (Cat No.) highlighted in bold blue have efficiency levels that meet EISA requirements

"R164 Rework" Table:

Multiplier Symbol S4

R-164 Rework for 10:1 Constant Torque: Fan Change* & Re-Nameplate		* Fan change to allow 10:1 constant torque may reduce motor full load efficiency below EPAAct levels. Operation of motor on non-sinusoidal wave form exempts motor from EPAAct mandated efficiency levels.
FRAME	LIST PRICE	
143-215	\$230	
254-286	\$263	
324-326	\$296	
364-365	\$296	
404-449	\$329	

Globetrotter® IEC (Metric) Frame, NEMA Premium

Totally Enclosed, B3 Mounting, Rigid Base, Three Phase

Applications: For use on fans, pumps, compressors, conveyors, and other equipment requiring IEC dimensions and electrical standards. The Globetrotter is not only designed to International standards but does meet NEMA performance and efficiency standards making it suitable for requirements worldwide.



Features:

- Meets EFF3 European and NEMA Premium efficiencies
- Aluminum (63-90 frame) or Cast Iron (100-250 frame) frame construction
- Nameplated 60/50 hertz at same HP (except as noted)
- Max Guard® Class F Insulation, Class B rise @ rated KW
- IP55 weatherproof enclosure
- Rotatable/Removable Base (63-90 frame)
- Wye Start-Delta Run on 160 Frame and larger
- 10:1 Variable Torque, Constant Torque speed range as noted
- Meets IEEE45, IEC60092 & USCG CFR46 Marine Duty (63-90 frame "Below Deck")
- Top Mounted/Oversized gasketed terminal box
- 1.15 Service Factor on 60 Hz sine wave, 1.0 SF or VFD
- IEC Design "N" with NEMA "B" Torques
- Terminal Blocks, Stud Type, Zero Creepage
- Kits or MOD Central for B3/B14 mounting
- Meets IEC 34 electrical standards
- Meets IEC 72 dimensions and tolerances
- CE Marked
- 1 Year Warranty

Multiplier Symbol F4

HP/Kw	RPM 60/50 HZ	60 HZ VOLTS	50 HZ VOLTS	IEC FRAME	CAT NO.	MODEL NO.	STOCK	CT SPEED RANGE	LIST PRICE	NOM. EFF.	60 HZ F.L. AMPS	APPROX. WT. LBS.	IEC "L" DIM. (MM)	FOOT NOTES
1/4-.18	3600/3000	230/460	200/400	63	R300	63T34FH5301	*	20:1	\$187	72.0	0.8/0.4	11	217	
	3600/3000	575	480	63	R400	63T34FH5303	*	20:1	\$187	72.0	0.3	11	217	
	1800/1500	230/460	200/400	63	R301	63T17FH5326	*	20:1	\$195	68.0	1.0/0.5	12	217	
	1800/1500	575	480	63	R401	63T17FH5327	*	20:1	\$195	68.0	0.4	12	217	
	1200/1000	230/460	200/400	71	R302	71T11FH5376	*	20:1	\$332	64.0	1.2/0.6	13	240	
1/3-.25	3600/3000	230/460	200/400	63	R303	63T34FH5302	*	20:1	\$219	72.0	1.1/.55	12	217	
	3600/3000	575	480	63	R403	63T34FH5304	*	20:1	\$219	72.0	0.4	12	217	
	1800/1500	230/460	200/400	71	R304	71T17FH5326	*	20:1	\$228	68.0	1.4/.7	14	240	
	1800/1500	575	480	71	R404	71T17FH5330	*	20:1	\$228	68.0	0.6	14	240	
	1200/1000	230/460	200/400	80	R305	80T11FH5376	*	20:1	\$357	70.0	1.3/.65	20	282	
1/2-.37	3600/3000	230/460	200/400	71	R306	71T34FH5301	*	20:1	\$233	74.0	1.6/.8	14	240	
	3600/3000	575	480	71	R406	71T34FH5033	*	20:1	\$233	74.0	0.7	14	240	
	1800/1500	230/460	200/400	71	R307	71T17FH5327	*	20:1	\$237	74.0	1.8/.9	15	240	
	1800/1500	575	480	71	R407	71T17FH5331	*	20:1	\$237	74.0	0.7	16	240	
	1200/1000	230/460	200/400	80	R308	80T11FH5377	*	20:1	\$372	72.0	1.9/.95	22	282	
3/4-.55	3600/3000	230/460	200/400	71	R309	71T34FH5302	*	20:1	\$245	74.0	2.4/1.2	16	240	
	3600/3000	575	480	71	R409	71T34FH5304	*	20:1	\$245	74.0	0.9	16	240	
	1800/1500	230/460	200/400	80	R310	80T17FH5326	*	20:1	\$258	74.0	2.5/1.25	21	282	
	1800/1500	575	480	80	R410	80T17FH5330	*	20:1	\$258	74.0	1.0	22	282	
	1200/1000	230/460	200/400	80	R311	80T11FH5378	*	20:1	\$400	72.0	2.7/1.35	25	282	
1-.75	3600/3000	230/460	200/400	80	R312	80T34FH5301	*	20:1	\$278	75.5	2.8/1.4	24	282	
	3600/3000	575	480	80	R412	80T34FH5305	*	20:1	\$278	75.5	1.1	24	282	
	1800/1500	230/460	200/400	80	R313	80T17FH5327	*	20:1	\$282	80.0	3.2/1.6	29	282	
	1800/1500	575	480	80	R413	80T17FH5331	*	20:1	\$282	80.0	1.4	28	282	
	1200/1000	230/460	200/400	90S	R314A	90ST11FH6376	*	20:1	\$486	82.5	3.3/1.7	33, 68	326	
1 1/2-1.1	3600/3000	230/460	200/400	80	R315	80T34FH5302	*	20:1	\$287	84.0	4.0/2.0	30	282	
	3600/3000	575	480	80	R415	80T34FH5303	*	20:1	\$287	84.0	1.6	29	282	
	1800/1500	230/460	200/400	90S	R316A	90ST17FH6326	*	20:1	\$369	86.5	4.6/2.3	40, 68	326	
	1800/1500	575	480	90S	R416A	90ST17FH6327	*	20:1	\$369	86.5	1.8	39	326	
	1200/1000	230/460	200/400	100L	R317	100LTC6586	*	2:1	\$576	87.5	5.5/10	82	380	

Blue shaded areas are Cast Iron Frames

☆ Requires nameplate modification

Globetrotter® IEC (Metric) Frame, NEMA Premium

Totally Enclosed, B3 Mounting, Rigid Base, Three Phase

Multiplier Symbol F4

HP/Kw	RPM 60/50 HZ	60 HZ VOLTS	50 HZ VOLTS	IEC FRAME	CAT NO.	MODEL NO.	STOCK	CT SPEED RANGE	LIST PRICE	NOM. EFF.	60 HZ F.L. AMPS	APPROX. WT. LBS.	IEC "L" DIM. (MM)	FOOT NOTES
2-1.5	3600/3000	230/460	200/400	90S	R318A	90ST34FH6301	☆	20:1	\$384	85.5	5.2/2.6	36, 68	326	
	3600/3000	575	480	90S	R418A	90ST34FH6302	☆	20:1	\$384	85.5	2.1	36, 68	326	
	1800/1500	230/460	200/400	90L	R319A	90LT17FH6326	☆	20:1	\$396	86.5	5.8/2.9	41, 68	326	
	1800/1500	575	480	90L	R419A	90LT17FH6327	☆	20:1	\$396	86.5	2.4	39, 68	326	
	1200/1000	230/460	200/400	100L	R320A	100LTFC6576	☆	2:1	\$619	88.5	7.6/3.8	82, 68	380	
3-2.2	3600/3000	230/460	200/400	90L	R321A	90LT34FH6301	☆	20:1	\$553	86.5	7.2/3.6	42	326	68
	3600/3000	575	480	90L	R421A	90LT34FH6302	☆	20:1	\$553	86.5	2.9	42	326	68
	1800/1500	230/460	200/400	100L	R322A	100LTFC6526	☆	20:1	\$600	89.5	9.0/4.5	84	380	68
	1800/1500	575	480	100L	R422A	100LTFC6527	☆	20:1	\$600	89.5	3.6	84	380	68
	1200/1000	230/460	200/400	112M	R323A	112MTFC6576	☆	20:1	\$874	89.5	9.0/4.5	100	400	68
4-3	3600/3000	230/460	200/400	100L	R351A	100LTFC6501	☆	20:1	\$640	87.5	9.2/4.6	71	380	68
	3600/3000	575	480	100L	R451A	100LTFC6502	☆	20:1	\$640	87.5	3.7	71	380	68
	1800/1500	230/460	200/400	100L	R352A	100LTFC6536	☆	20:1	\$651	89.5	11.0/5.5	84	380	68
	1800/1500	575	480	100L	R452A	100LTFC6537	☆	20:1	\$651	89.5	4.4	84	380	68
	1200/1000	230/460	200/400	132S	R353A	132STFC6586	☆	2:1	\$1,058	89.5	13.0/6.5	154	475	68
5 1/2-4	3600/3000	230/460	200/400	112M	R324A	112MTFC6511	☆	20:1	\$824	87.5	12.8/6.4	104	400	68
	3600/3000	575	480	112M	R424A	112MTFC6512	☆	20:1	\$824	87.5	5.1	104	400	68
	1800/1500	230/460	200/400	112M	R325A	112MTFC6536	☆	20:1	\$794	89.5	14.0/7.0	104	400	68
	1800/1500	575	480	112M	R425A	112MTFC6537	☆	20:1	\$794	89.5	5.6	104	400	68
	1200/1000	230/460	200/400	132M	R326A	132MTFC6586	☆	2:1	\$1,221	89.5	17/8.5	176	475	68
7 1/2-5.5	3600/3000	230/460	200/400	132S	R327A	132STFC6501	☆	20:1	\$1,033	90.2	17.6/8.8	152	475	68
	3600/3000	575	480	132S	R427	132STFC6503	☆	20:1	\$1,033	90.2	7.0	152	475	68
	1800/1500	230/460	200/400	132S	R328A	132STFC6526	☆	20:1	\$998	91.7	19.6/9.8	150	475	68
	1800/1500	575	480	132S	R428A	132STFC6527	☆	20:1	\$998	91.7	7.8	105	475	68
	1200/1000	230/460	200/400	132M	R329A	132MTFC6587	☆	2:1	\$1,469	91.0	23.4/11.7	180	475	68
10-7.5	3600/3000	230/460	200/400	132S	R330A	132STFC6502	☆	20:1	\$1,105	90.2	23.2/11.6	163	475	68
	3600/3000	575	480	132S	R430	132STFC6504	☆	20:1	\$1,105	90.2	9.3	163	475	68
	1800/1500	230/460	200/400	132M	R331A	132MTFC6536	☆	2:1	\$1,225	91.7	26.0/13.0	174	475	68
	1800/1500	575	480	132M	R431A	132MTFC6537	☆	2:1	\$1,225	91.7	10.4	174	475	68
	1200/1000	230/460	200/400	160M	R332A	160MTFC6586	☆	2:1	\$1,905	91.0	28.0/14.0	251	600	YD, 68
15-11	3600/3000	230/460	200/400	160M	R333A	160MTFC6511	☆	2:1	\$1,790	91.7	35.2/17.6	260	600	YD, 68
	1800/1500	230/460	200/400	160M	R334A	160MTFC6536	☆	10:1	\$1,756	92.4	37.8/18.9	264	600	YD, 68
	1200/1000	230/460	200/400	160L	R335A	160LTFC6588	☆	2:1	\$2,445	91.7	38.8/19.4	330	600	YD, 68
20-15	3600/3000	230/460	200/400	160M	R336A	160MTFC6512	☆	10:1	\$2,100	91.7	46.8/23.4	269	600	YD, 68
	1800/1500	230/460	200/400	160L	R337A	160LTFC6538	☆	2:1	\$2,214	93.0	47.0/23.5	311	600	YD, 68
	1200/1000	230/460	200/400	180L	R338A	180LTFC6588	☆	2:1	\$3,429	91.7	54.0/27.0	385	710	YD, 68
25-18.5	3600/3000	230/460	200/400	160L	R339A	160LTFC6513	☆	2:1	\$2,556	91.7	57.6/28.8	319	645	YD, 68
	1800/1500	230/460	200/400	180M	R340A	180MTFC6536	☆	20:1	\$2,814	93.6	59.2/29.6	381	670	YD, 68
	1200/1000	230/460	200/400	200L	R341A	200LTFC6588	☆	2:1	\$4,300	93.0	63.0/31.5	467	775	YD, 68
30-22	3600/3000	230/460	200/400	180M	R342A	180MTFC6511	☆	2:1	\$3,038	92.4	68.8/34.4	355	670	YD, 68
	1800/1500	230/460	200/400	180L	R343A	180LTFC6538	☆	20:1	\$3,163	93.6	69.2/34.6	427	710	YD, 68
	1200/1000	230/460	200/400	200L	R344A	200LTFC6589	☆	2:1	\$4,871	93.0	76/38	467	775	YD, 68
40-30	3600/3000	230/460	200/400	200L	R345A	200LTFC6511	☆	20:1	\$4,325	92.4	89.6/44.8	522	775	YD, 68
	1800/1500	230/460	200/400	200L	R346A	200LTFC6538	☆	2:1	\$4,656	94.1	95/47.5	531	775	YD, 68
	1200/1000	230/460	200/400	225M	R347A	225MTFC6586	☆	2:1	\$7,319	94.1	100/50	633	845	YD, 68
50-37	3600/3000	230/460	200/400	200L	R348A	200LTFC6513	☆	10:1	\$5,673	93.0	111.4/55.7	546	775	YD, 68
	1800/1500	230/460	200/400	225S	R349A	225STFC6526	☆	10:1	\$6,460	94.5	117.6/58.8	632	845	YD, 68
	1200/1000	230/460	200/400	250M	R350A	250MTFC6586	☆	2:1	\$10,259	94.1	125/62.5	655	930	YD, 68

Blue shaded areas are Cast Iron Frames

☆ Requires nameplate modification

HAZARDOUS DUTY

Globetrotter® IEC (Metric) Frame, NEMA Premium

Totally Enclosed, Flange/Base Mounting, Three Phase

Multiplier Symbol F4

B3/B5 "FF"

HP/Kw	RPM 60/50 HZ	60 HZ VOLTS	50 HZ VOLTS	IEC FRAME	CAT NO.	MODEL NO.	STOCK	CT SPEED RANGE	LIST PRICE	NOM. EFF.	60 HZ F.L. AMPS	APPROX. WT. LBS.	IEC "L" DIM. (MM)	FOOT NOTES
1/4-.18	3600/3000	230/460	200/400	63D	R380	63T34FH5501	*	20:1	\$215	72.0	0.8/0.4	10	217	DS
	1800/1500	230/460	200/400	63D	R381	63T17FH5502	*	20:1	\$222	68.0	1.0/0.5	11	217	DS
	1200/1000	230/460	200/400	71D	R382	71T11FH5503	*	20:1	\$382	64.0	1.2/0.6	12	240	DS
1/3-.25	3600/3000	230/460	200/400	63D	R383	63T34FH5504	*	20:1	\$249	72.0	1.1/.55	11	217	DS
	1800/1500	230/460	200/400	71D	R384	71T17FH5505	*	20:1	\$257	68.0	1.4/.7	13	240	DS
	1200/1000	230/460	200/400	80D	R385	80T11FH5506	*	20:1	\$410	70.0	1.3/.65	17	282	DS
1/2-.37	3600/3000	230/460	200/400	71D	R386	71T34FH5507	*	20:1	\$255	74.0	1.6/.8	13	240	DS
	1800/1500	230/460	200/400	71D	R387	71T17FH5508	*	20:1	\$264	74.0	1.8/.9	14	282	DS
	1200/1000	230/460	200/400	80D	R388	80T11FH5509	*	20:1	\$427	72.0	1.9/.95	19	282	DS
3/4-.55	3600/3000	230/460	200/400	71D	R389	71T34FH5510	*	20:1	\$270	74.0	2.4/1.2	15	282	DS
	1800/1500	230/460	200/400	80D	R390	80T17FH5511	*	20:1	\$288	74.0	2.5/1.25	18	282	DS
	1200/1000	230/460	200/400	80D	R391	80T11FH5512	*	20:1	\$452	72.0	2.7/1.35	22	320	DS
1-.75	3600/3000	230/460	200/400	80D	R392	80T34FH5513	*	20:1	\$297	75.5	2.8/1.4	21	282	DS
	1800/1500	230/460	200/400	80D	R393	80T17FH5514	*	20:1	\$311	80.0	3.2/1.6	26	282	DS
	1200/1000	230/460	200/400	90SD	R394A	90ST11FH6515	*	20:1	\$556	82.5	3.3/1.7	35	320	DS
1 1/2-1.1	3600/3000	230/460	200/400	80D	R395	80T34FH5516	*	20:1	\$339	84.0	4.0/2.0	30	282	DS
	1800/1500	230/460	200/400	90SD	R396A	90ST17FH6517	*	20:1	\$403	86.5	4.6/2.3	37	320	DS
2-1.5	3600/3000	230/460	200/400	90SD	R397A	90ST34FH6518	*	20:1	\$439	85.5	5.2/2.6	33	320	DS
	1800/1500	230/460	200/400	90LD	R398A	90LT17FH6519	*	20:1	\$451	86.5	5.8/2.9	38	320	DS
3-2.2	3600/3000	230/460	200/400	90LD	R399A	90LT34FH6520	*	20:1	\$621	86.5	7.2/3.6	39	320	DS

B3/B14 "FT"

HP/Kw	RPM 60/50 HZ	60 HZ VOLTS	50 HZ VOLTS	IEC FRAME	CAT NO.	MODEL NO.	STOCK	CT SPEED RANGE	LIST PRICE	NOM. EFF.	60 HZ F.L. AMPS	APPROX. WT. LBS.	IEC "L" DIM. (MM)	FOOT NOTES
1/4-.18	3600/3000	230/460	200/400	63C	R360	63T34FH5401	*	20:1	\$211	72.0	0.8/0.4	10	217	DS
	1800/1500	230/460	200/400	63C	R361	63T17FH5402	*	20:1	\$219	68.0	1.0/0.5	11	217	DS
	1200/1000	230/460	200/400	71C	R362	71T11FH5403	*	20:1	\$382	64.0	1.2/0.6	12	240	DS
1/3-.25	3600/3000	230/460	200/400	63C	R363	63T34FH5404	*	20:1	\$247	72.0	1.1/.55	11	217	DS
	1800/1500	230/460	200/400	71C	R364	71T17FH5405	*	20:1	\$250	68.0	1.4/.7	13	240	DS
	1200/1000	230/460	200/400	80C	R365	80T11FH5406	*	20:1	\$410	70.0	1.3/.65	17	282	DS
1/2-.37	3600/3000	230/460	200/400	71C	R366	71T34FH5407	*	20:1	\$251	74.0	1.6/.8	13	240	DS
	1800/1500	230/460	200/400	71C	R367	71T17FH5408	*	20:1	\$261	74.0	1.8/.9	14	282	DS
	1200/1000	230/460	200/400	80C	R368	80T11FH5409	*	20:1	\$427	72.0	1.9/.95	19	282	DS
3/4-.55	3600/3000	230/460	200/400	71C	R369	71T34FH5410	*	20:1	\$264	74.0	2.4/1.2	15	282	DS
	1800/1500	230/460	200/400	80C	R370	80T17FH5411	*	20:1	\$283	74.0	2.5/1.25	18	282	DS
	1200/1000	230/460	200/400	80C	R371	80T11FH5412	*	20:1	\$452	72.0	2.7/1.35	22	320	DS
1-.75	3600/3000	230/460	200/400	80C	R372	80T34FH5413	*	20:1	\$291	75.5	2.8/1.4	21	282	DS
	1800/1500	230/460	200/400	80C	R373	80T17FH5414	*	20:1	\$304	80.0	3.2/1.6	26	282	DS
	1200/1000	230/460	200/400	90SC	R374A	90ST11FH6415	*	20:1	\$556	82.5	3.3/1.7	35	320	DS
1 1/2-1.1	3600/3000	230/460	200/400	80C	R375	80T34FH5416	*	20:1	\$331	84.0	4.0/2.0	30	282	DS
	1800/1500	230/460	200/400	90SC	R376A	90ST17FH6417	*	20:1	\$395	86.5	4.6/2.3	37	320	DS
2-1.5	3600/3000	230/460	200/400	90SC	R377A	90ST34FH6418	*	20:1	\$430	85.5	5.2/2.6	33	320	DS
	1800/1500	230/460	200/400	90LC	R378A	90LT17FH6419	*	20:1	\$439	86.5	5.8/2.9	38	320	DS
3-2.2	3600/3000	230/460	200/400	90LC	R379A	90LT34FH6420	*	20:1	\$621	86.5	7.2/3.6	39	320	DS

Blue shaded areas are Cast Iron Frames

☆ Requires nameplate modification

SyMAX™ FHP

VARIABLE SPEED PERMANENT MAGNET AC FRACTIONAL HORSEPOWER MOTOR

Designed for food machines, conveyors, agricultural machines, and other commercial applications requiring a mission critical motor.

The SyMAX™ FHP motor incorporates a radial flux design which delivers high torque, ultra-high efficiency and increased power density, which help provide system maximization.

SyMAX-*i*™ features IntelliDrive™, an embedded electronic control system that incorporates proprietary algorithms, allowing the power to be easily controlled while maintaining a high efficiency level.



SyMAX™ FHP MOTOR ONLY SPECIFICATIONS

- Totally enclosed, non-ventilated (TENV)
- Same Torque/HP Ratings as Integrated Designs
- Three-phase input, 60 Hz
- Maximum 5000 RPM
- NEMA 48/S56/56Fr
- IP54
- With and without sensor feedback
- Embedded magnet design
- UL and cUL Recognized component

SyMAX-*i*™ 48 FRAME WITH INTELLIDRIVE™ SPECIFICATIONS

- Totally enclosed, fan cooled (TEFC)
- Torque: 0-72 in-lb, 0-8.1 Nm
- 115 & 230V AC single-phase input, 60 Hz
- Maximum 3000 RPM
- 1.25 HP Max @ 115V (1.25 HP @ 1000-3000 RPM)
- 2.5 HP Max @ 230V (1 HP @ 850 RPM / 2 HP @ 1700 RPM / 2.5 HP @ 3000 RPM)
- NEMA 48Fr and S56
- IP54
- Embedded magnet design
- UL and cUL Recognized component

SyMAX-*i*™ 56 FRAME WITH INTELLIDRIVE™ SPECIFICATIONS

- Totally enclosed, fan cooled (TEFC)
- Torque: 0-132 in-lb, 0-14.9 Nm
- 230 & 460V AC three-phase input, 60 Hz
- Maximum 2250 RPM
- 1/3 HP-3.6 HP (2 HP @ 1140 RPM / 3.6 HP @ 1700 RPM)
- NEMA 56Fr
- IP54
- Embedded magnet design
- UL and cUL Recognized component

FEATURES

- MAX GUARD® insulation system
- Rolled-steel construction
- Constant torque or constant speed operation
- Integrated control, separate control and/or motor-only construction
- Continuous duty at 40°C ambient

BENEFITS

- Provides commercial and industrial users with the highest efficiencies available
- 200% starting torque for loaded start-up conditions at low speeds with sensed feedback
- System maximization when used to eliminate contactors, starters, current relays and gearboxes
- Lower operating temperatures
- Constant torque or constant speed control
- Durable construction provides long life in the most strenuous environments

This page contains preliminary product information that may change without notice.

SyMAX™ IHP

VARIABLE SPEED PERMANENT MAGNET AC INTEGRAL HORSEPOWER MOTOR

Designed for compressors, pumping, material handling, mixers, air moving, commercial and industrial machinery, along with applications requiring a mission critical motor.

The SyMAX™ IHP motor incorporates a radial flux design which delivers high torque, ultra-high efficiency and increased power density, providing system maximization.



SPECIFICATIONS

- Totally enclosed, fan cooled (TEFC)
- Ultra Efficient IE4 (above NEMA Premium)
- Torque: 10-300 lb/foot, 13.5-400 Nm
- 230 & 460V AC three-phase input, 60 Hz
- NEMA 182-286T and optional IEC 112-180 frames
- IP55-rated enclosure
- Interior Permanent Magnet (IPM)
- C-Face and rigid base
- UL and cUL Recognized component
- CSA Certified
- CE Mark

FEATURES

- MAX GUARD® insulation system
- Cast-iron (182-286T) construction
- Suitable for use on a PWM PM drive in variable or constant torque mode
- F1, F2 or F3 terminal box configuration
- Omni-mount™ 360° mounting
- Continuous duty at 40°C ambient
- Three year warranty

BENEFITS

- Provides commercial and industrial users with the highest efficiencies available
- Performance Matched™ to today's state-of-the-art PWM PM drives
- High dynamic response due to a lower rotor-to-inertia ratio than equivalent induction motors
- Incredible system maximization when used to eliminate gear boxes, sheaves and belts, and chains in applications
- Lower operating temperatures
- Decreased vibration
- Sensor-less feedback is possible when used with open-loop PM drives, mitigating reliability issues and costs associated with encoders
- Durable cast-iron construction provides long life in the most strenuous environments
- IP55 protection for mission critical applications requiring a higher degree of protection against the entry of dust and other contaminants

This page contains preliminary product information that may change without notice.

NEMA MG-1 Table 12-11 Full Load Efficiencies of EPAct Efficient Electric Motors

NOMINAL FULL LOAD EFFICIENCY								
HP	OPEN FRAME				ENCLOSED FRAME			
	2 POLE	4 POLE	6 POLE	8 POLE	2 POLE	4 POLE	6 POLE	8 POLE
1	N/A	82.5	80.0	74.0	75.5	82.5	80.0	74.0
1 1/2	82.5	84.0	84.0	75.5	82.5	84.0	85.5	77.0
2	84.0	84.0	85.5	85.5	84.0	84.0	86.5	82.5
3	84.0	86.5	86.5	86.5	85.5	87.5	87.5	84.0
5	85.5	87.5	87.5	87.5	87.5	87.5	87.5	85.5
7 1/2	87.5	88.5	88.5	88.5	88.5	89.5	89.5	85.5
10	88.5	89.5	90.2	89.5	89.5	89.5	89.5	88.5
15	89.5	91.0	90.2	89.5	90.2	91.0	90.2	88.5
20	90.2	91.0	91.0	90.2	90.2	91.0	90.2	89.5
25	91.0	91.7	91.7	90.2	91.0	92.4	91.7	89.5
30	91.0	92.4	92.4	91.0	91.0	92.4	91.7	91.0
40	91.7	93.0	93.0	91.0	91.7	93.0	93.0	91.0
50	92.4	93.0	93.0	91.7	92.4	93.0	93.0	91.7
60	93.0	93.6	93.6	92.4	93.0	93.6	93.6	91.7
75	93.0	94.1	93.6	93.6	93.0	94.1	93.6	93.0
100	93.0	94.1	94.1	93.6	93.6	94.5	94.1	93.0
125	93.6	94.1	94.1	93.6	94.5	94.5	94.1	93.6
150	93.6	94.5	94.5	93.6	94.5	95.0	95.0	93.6
200	94.5	95.0	94.5	93.6	95.0	95.0	95.0	94.1
250	94.5	95.4	95.4	94.5	95.4	95.0	95.0	94.5
300	95.0	95.4	95.4	N/A	95.4	95.4	95.0	N/A
350	95.0	95.4	95.4	N/A	95.4	95.4	95.0	N/A
400	95.4	95.4	N/A	N/A	95.4	95.4	N/A	N/A
450	95.8	95.8	N/A	N/A	95.4	95.4	N/A	N/A
500	95.8	95.8	N/A	N/A	95.4	95.8	N/A	N/A

Blue shaded areas are Cast Iron Frames

NEMA MG-1 Table 12-12 Full Load Efficiencies for 60 Hz NEMA Premium® (CEE) Efficient Electric Motors Rated 600 Volts or less (Random Wound)

NOMINAL FULL LOAD EFFICIENCY								
HP	OPEN FRAME				ENCLOSED FRAME			
	2 POLE	4 POLE	6 POLE	8 POLE	2 POLE	4 POLE	6 POLE	8 POLE
1	77.0	85.5	82.5	N/A	77.0	85.5	82.5	N/A
1 1/2	84.0	86.5	86.5	N/A	84.0	86.5	87.5	N/A
2	85.5	86.5	87.5	N/A	85.5	86.5	88.5	N/A
3	85.5	89.5	88.5	N/A	86.5	89.5	89.5	N/A
5	86.5	89.5	89.5	N/A	88.5	89.5	89.5	N/A
7 1/2	88.5	91.0	90.2	N/A	89.5	91.7	91.0	N/A
10	89.5	91.7	91.7	N/A	90.2	91.7	91.7	N/A
15	90.2	93.0	91.7	N/A	91.0	92.4	91.7	N/A
20	91.0	93.0	92.4	N/A	91.0	93.0	92.4	N/A
25	91.7	93.6	93.0	N/A	91.7	93.6	93.0	N/A
30	91.7	94.1	93.6	N/A	91.7	93.6	93.0	N/A
40	92.4	94.1	94.1	N/A	92.4	94.1	94.1	N/A
50	93.0	94.5	94.1	N/A	93.0	94.5	94.1	N/A
60	93.6	95.0	94.5	N/A	93.6	95.0	94.5	N/A
75	93.6	95.0	94.5	N/A	93.6	95.4	94.5	N/A
100	93.6	95.4	95.0	N/A	94.1	95.4	95.0	N/A
125	94.1	95.4	95.0	N/A	95.0	95.4	95.0	N/A
150	94.1	95.8	95.4	N/A	95.0	95.8	95.8	N/A
200	95.0	95.8	95.4	N/A	95.4	96.2	95.8	N/A
250	95.0	95.8	95.4	N/A	95.8	96.2	95.8	N/A
300	95.4	95.8	95.4	N/A	95.8	96.2	95.8	N/A
350	95.4	95.8	95.4	N/A	95.8	96.2	95.8	N/A
400	95.8	95.8	95.8	N/A	95.8	96.2	95.8	N/A
450	95.8	96.2	96.2	N/A	95.8	96.2	95.8	N/A
500	95.8	96.2	96.2	N/A	95.8	96.2	95.8	N/A

Blue shaded areas are Cast Iron Frames

FOOTNOTES

1	Capacitor Start/Capacitor Run design for reduced amperage	75	Addition of C-Face Kits may result in non-NEMA "BA", dimension. For the resulting "BA" dimension consult chart found in modification section
2	Capacitor Start Induction Run design	76	Addition of C-Face Kits in non-NEMA "AH" dimension. "AH" is 2.12, Rework "AH" is 2.38
3	Split Phase design	77	Frame size is drilled with three sets of footholes, 5010, 5011, and 5012 as standard. Foothole drilling for 5009 available upon request, as a build-up
4	Sleeve bearing	78	Frame size is drilled with two sets of footholes, 5012 and 5013 standard
5	56H, 143T, and 145T Combination Base with 12 mounting holes	79	Ball brgs on both ends suitable for direct connection. For belted applications, refer to Customer Service
6	Bolt-on removable base for footless mounting option	80	Rolled steel fan guard on 143T-145T
7	Shaft extension 1-1/2" long by 1/2" diameter	81	24" long #18 SO 2-conductor cord out shell at 11 o'clock position
8	Shaft extension 1-7/8" long by 1/2" diameter	82	Welded Rigid Base
9	Shaft extension 2-1/4" long by 1/2" diameter	83	Shaft extension 1-7/8" long by 5/8" diameter with 6-3/8" mounting flange
10	Shaft extension 2-1/4" long by 5/8" diameter	84	NEMA 145T C-Face mounting with removable 182T rigid base
11	Shaft extension 2-1/4" long by 7/8" diameter	85	Not tach adaptable
12	With rigid base	86	2:1 constant torque speed range; RTM for greater torque capability
13	F1 Mounting only, cannot reassemble to F2	87	10:1 Constant Torque available as build-up, RTM for price and availability
14	Will accept C-Face kit, see Accessory Section	88	182T base and shaft height, 145TC mounting face and shaft dimensions
15	Fixed CW Rotation, viewing opposite shaft (or lead end) of motor	89	Threaded NPT opening in conduit box
16	Fixed CCW Rotation, viewing opposite shaft (or lead end) of motor	90	Not UL Recognized
17	1.0 Service Factor	91	Suitable for use on VFD at 208 volt
18	1.15 Service Factor	92	7/8" Thru-bolts, shaft end
19	1.25 Service Factor	93	Permanent split capacitor-switchless
20	1.35 Service Factor	94	1/2" Thru-bolts, shaft end
21	Double shaft extension 1-1/2" long by 1/2" diameter with flat each end	95	Will not accept drip cover kit
22	Double shaft extension 1-7/8" long by 5/8" diameter each end	96	3 lead reversible design works with single pole, double throw reversing switch
23	Shaft extension 3/8" diameter	97	Addition of D-Flange kit will result in non-NEMA "BA" dimension (1/2" longer than NEMA) and non-NEMA shaft extension (1/2" shorter than NEMA).
24	Motor will NOT accept a Brake kit	98	Not UL Listed for Fire Pump applications
25	Motor will NOT accept C-Face Kits	99	Suitable for 2:1 CT operation
26	5/8" shaft adapter included	100	6" shaft extension with 2 flats 90° apart
27	Drip Cover included	110	1.20 Service Factor
28	Steel Endshields	111	1.30 Service Factor
29	Weep holes with removable plugs on end brackets. Remove bottom plug after installation	112	1.40 Service Factor
30	Resilient ring mount, base not included	113	1.50 Service Factor
31	5/8" Thru-bolts, shaft end	114	1.60 Service Factor
32	3/4" Thru bolts, shaft end	115	1.75 Service Factor
33	Shaft extension 6" long by 5/8" diameter with full flat and key 90° apart	116	1-3/4" thru-bolt extension on shaft-end
34	1" Thru-bolts, shaft end	2:1	Suitable for 2:1 CT operation; consult "R164 Rework" table for fan change pricing to upgrade to 10:1 CT
35	1-1/8" Thru-bolts, shaft end	A	NEMA Design A
36	1-1/4" Thru-bolts, shaft end	AH	Conforms to GM 7EH and satisfies Ford EM-1 and GM 7EQ
37	1-1/2" Thru-bolts, shaft end	AL	Aluminum Frame Construction
38	2" Thru-bolts, shaft end	AQ	Conforms to GM 7EQ and satisfies Daimler Chrysler NPEM-100, and Ford EM-1
39	No Thru-bolts, shaft end	BI	Class B Insulation
40	Space heaters and 100 ohm platinum stator RTDs included.	B	NEMA Design B
41	1/2" Thru-bolts, opposite shaft end	BP	Separate power supply required for blower motor
42	3/4" Thru-bolts, opposite shaft end	C	NEMA Design C
43	2-1/2" Resilient Rings included	CD	Suitable for Group C
44	1" Thru-bolts, opposite shaft end	CF	Consult Factory for Accessory Kit and/or Modification Selection
45	60° C ambient	CT	Suitable for 20:1 CT on Vector Drive, cont duty or 2000:1 CT, 60 min duty
46	65° C ambient	d	Will become build-up item when current stock is gone
47	Connected for CCW rotation (U.S. standard) facing opposite shaft end. Reversible by reconnection of leads	E	Design incorporates electronic switch
48	Connected for CW rotation (Canadian standard) facing opposite shaft end. Reversible by reconnection of leads	ES	Energy Saver Design
49	Shaft extension 1-13/16" long by 1/2" diameter with 6-3/8" mounting flange	F	Class F Insulation
50	Designed for 50 Hz operation	FN	Drive has cooling fan
51	Does not include resilient rings, see Accessory Section	H	Cass H Insulation
52	1/2" x 1-7/8" Shaft with 1-5/8" Flat	I	Reduced HP @ 120 HZ
53	1/2" Shaft with 5/8" adapter and Key	N	Totally Enclosed, Non-Ventilated
54	30 minute duty cycle, not rated for continuous duty	NE	Exempt from NEMA Premium efficiency requirement
55	Shaft extension 3-13/16" long by 5/8" diameter with 3.5" keyway	NP	Does not meet NEMA PremiumR efficiency
56	1-5/8" Thru-bolts, shaft end	NS	Single Shielded Ball Bearings
57	Open construction	PW	Part Winding Start Capability
58	Capacitor supplied with motor	Q	"Quick Connect" terminal board
59	TEAO construction	RB	Roller Bearing on shaft end for belted load only
60	Foot locating Set Screws on frame, 90° apart	S	Steel Frame Construction
61	10" Leads	SH	Space heaters
62	43" Leads	SL	Sound level exceeds standard
63	1-1/2" Thru-bolts, opposite shaft end	TS	Normally Closed Thermostats installed
65	Mounting accessories and resilient ring for pulley end are not included. Use accessory kit 161L131AB1 for resilient ring mounting.	V	Suitable for 10:1 CT 60 minute duty, otherwise 2:1 CT
67	Capacitor not included, see Accessory Section	VB	Vibration not met
68	Rated 60/50 hertz, 190/380 or 380 volt at next lower horsepower	VC	Voltage Change Device feature for quick voltage changes
69	50° C Ambient	X	XRI, Ultra High Efficiency Design
70	Not Nameplated 50 hz	YD	12 Leads for WYE-DELTA, Part Winding on low voltage, or across-the-line starting
71	Includes length adapter bracket	Z	56HZ with 7/8" x 2 1/4" shaft, 3-1/2" height, and slotted 56 frame base
72	Usable on 200 Volts at 1.0 service factor		
73	No hubs		
74	Split phase/capacitor run electrical design		

Specifications	Features	GLOBE-TROTTER®	BLUE CHIP® XRI®	BLUE CHIP® XRI® SD	BLUE CHIP® XRI® 841	BLUE CHIP® XRI® XP
Enclosures	Totally Enclosed Fan Cooled	•	•	•	•	•
	Open Dripproof	•	•			
Voltage	208-230/460 volt through 100 HP, 460 volt 125 HP and larger	•				
	230/460 volt through 100 HP, 460 volt 125 HP and larger		•	•		•
	460 volt (three lead)			•	•	•
	575 volt (three lead)		•	•	•	•
Service Factor (sine wave)	1.15	•	•	•	•	•
	1.25 through 40 HP (see SB300 catalog for restrictions)			•	•	•
Inverter Duty	10:1 variable torque	•	•	•	•	•
	Up to 10:1 constant torque	•	•	•	•	•
	Up to 20:1 constant torque		•	•	•	•
	Provisions to add hollow shaft encoder (TEFC only)			•	•	
Insulation System	Non-hygroscopic Class F system 143T-445T, Class H 447/9T	•	•			
	MAX GUARD®			•	•	•
Balance	Special balance average 0.08 in/sec.			•	•	•
Bearings & Lubrication	Shielded ball bearings, C-3 fit with premium Mobil Polyrex EM grease (-30°C to +150°C)	•	•	•	•	•
	Open bearings, 364T Frame and larger	•				
	Zerk fittings (Globetrotter 324T and larger)			•	•	•
	Extended grease tubes for regreasing without disassembly			•	•	
Bearing Caps	Cast iron, 182T and larger					•
	Cast iron, 254T and larger	•		•	•	
	Cast iron, 444T and larger		•			
Construction	Rolled Steel	•	•	•		
	Cast Iron	•	•	•	•	•
Conduit Box	Steel 56-326T, Cast iron (364T and larger, non threaded)		•			
	Steel 143T-215T, Cast iron (254T and larger, non threaded)	•				
	Cast iron, oversized, fully gasketed			•	•	•
Leads	Lead lugs 364T and larger		•	•	•	•
	Permanently marked leads with lead separator			•	•	•
Fan Guard (TEFC)	Polypropylene (143T-213T), Steel (254T and larger)	•				
	Polypropylene (182T-326T)		•			
	Cast iron (including XRI 364T and larger)		•	•	•	•
Fan (External)	Non-sparking polypropylene (TEFC)	•	•	•	•	•
Drains	Corrosion resistant brass drain and breather			•	•	•
	Drilled and tapped hole		•			
	Drain hole 143T-326T, drilled and tapped hole 364T and larger	•				
Epoxy Finish	Internal and external corrosion resistant epoxy			•	•	•
Hardware	Corrosion resistant zinc dichromate plated hex head hardware		•	•	•	•
	Lifting provisions, 182T and larger	•	•	•	•	•
Ground	Ground lug provision in conduit box	•	•	•	•	•
	External grounding provision				•	
Nameplate	Stainless steel - includes NEMA nominal efficiency and power factor	•	•	•	•	•
	AFBMA bearing identification plate				•	•
Seals	Inpro/Seal VBX Bearing Isolators on drive end of TENV and both ends of TEFC				•	
Slinger	Molded neoprene slinger on shaft end	•	•	•	•	•
Marine Duty	Meets IEEE45 and USCG			•	•	•
	Meets API RP14F for offshore platforms				•	
Division 1 Hazardous Duty	CSA Certification, UL Listed, Class I & II Groups C,D,F,G, Temperature Code T3B					•
Division 2 Hazardous Duty	CSA Certification nameplate, Class 1 Groups A, B, C, D, Temperature Code T2B			•	•	
Motor Testing	Actual short commercial test data supplied for catalog numbers that do not end with "A"		•			
	Actual short commercial test data plus max. vibration est supplied with each motor			•		•
	Actual short commercial test data plus 2 additional vibration tests supplied with each motor				•	
						•
Agency Listings	UL Recognized	•	•	•	•	•
	CSA Certified	•	•	•	•	•
	CE Mark	•	•	•	•	•
Warranty	24 mo. from date of first use, 30 mo. from date of manufacture	•				
	36 mo. from date of first use, 42 mo. from date of manufacture		•	•		•
	60 mo. from date of first use, 66 mo. from date of manufacture				•	
	Optional extended warranty				•	•



Globetrotter®
• TEFC & ODP



Blue Chip® XRI®
• TENV & TEFC



Blue Chip® XRI® - Severe Duty
• TENV & TEFC



Blue Chip® XRI® - 841
• IEEE 841



Blue Chip® XRI® - Hazardous Duty™
• Division 1, Class I & II Groups C, D, F & G



100 East Randolph St. • P.O. Box 8003 • Wausau, Wisconsin 54402
Toll Free: (800) 616-7077 • Ph: (715) 675-3311 • Fax: (715) 675-8030
marathonelectric.com



Marathon Electric is a trademark of Regal Beloit Corporation.